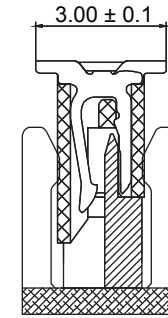
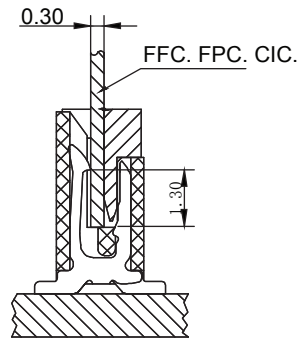
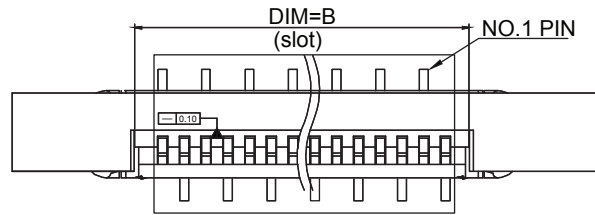


OPEN POSITION

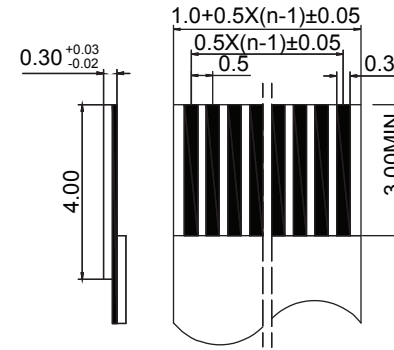


A - A

DIM=D (Height) 4-34 Pos. = 4.65mm  
35-60 Pos. = 5.15mm



CLOSED POSITION



FFC/FPC DIMENSION

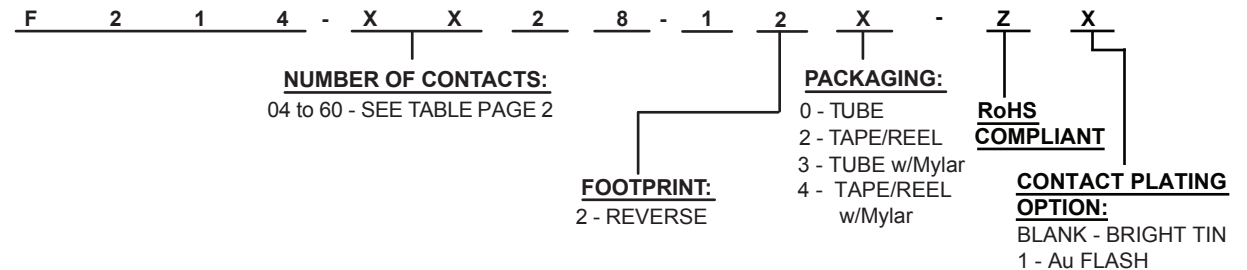
**ELECTRICAL:**

CURRENT RATING: 0.5A  
 VOLTAGE RATING: 50 VDC  
 CONTACT RESISTANCE: 30Ω max. (at 20 mVDC, 100mA max.)  
 INSULATOR RESISTANCE: 500MΩ min. (at 500 VDC)  
 DIELECTRIC WITHSTANDING VOLTAGE: AC 500V / 60sec.  
 OPERATING TEMPERATURE: -25°C to +85°C

**MATERIAL:**

HOUSING: PA46 UL94V-0 /COLOR: Black  
 SLIDER: PPS (UL94V-0)  
 CONTACT PLATING: Tin ( 80u" ) over Nickel (50μ") MIN.

**HOW TO ORDER:**



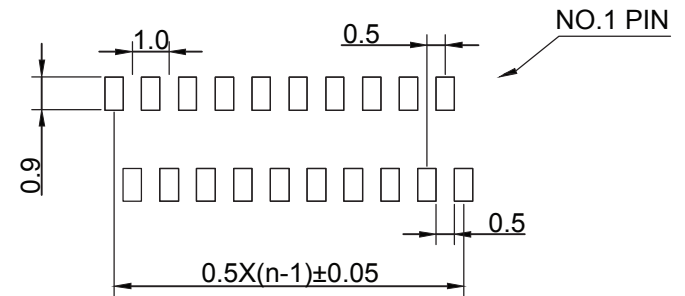
Rev	Drawn	Checked	Approved	Date
0	B.S.	S.M.	S.M.	04/04/13

**SMP TECHNOLOGY, INC.**

FFC Connector, 0.5mm Pitch, Top Entry, ZIF, Surface Mount

Type A; Reverse Footprint

No.of Circuits	A	B	C	D	No.of Circuits	A	B	C	D
4	1.50	2.57	8.40	4.65	35	17.00	18.07	23.90	5.15
5	2.00	3.07	8.90	4.65	36	17.50	18.57	24.40	5.15
6	2.50	3.57	9.40	4.65	37	18.00	19.07	24.90	5.15
7	3.00	4.07	9.90	4.65	38	18.50	19.57	25.40	5.15
8	3.50	4.57	10.40	4.65	39	19.00	20.07	25.90	5.15
9	4.00	5.07	10.90	4.65	40	19.50	20.57	26.40	5.15
10	4.50	5.57	11.40	4.65	41	20.00	21.07	26.90	5.15
11	5.00	6.07	11.90	4.65	42	20.50	21.57	27.40	5.15
12	5.50	6.57	12.40	4.65	43	21.00	22.07	27.90	5.15
13	6.00	7.07	12.90	4.65	44	21.50	22.57	28.40	5.15
14	6.50	7.57	13.40	4.65	45	22.00	23.07	28.90	5.15
15	7.00	8.07	13.90	4.65	46	22.50	23.57	29.40	5.15
16	7.50	8.57	14.40	4.65	47	23.00	24.07	29.90	5.15
17	8.00	9.07	14.90	4.65	48	23.50	24.57	30.40	5.15
18	8.50	9.57	15.40	4.65	49	24.00	25.07	30.90	5.15
19	9.00	10.07	15.90	4.65	50	24.50	25.57	31.40	5.15
20	9.50	10.57	16.40	4.65	51	25.00	26.07	31.90	5.15
21	10.00	11.07	16.90	4.65	52	25.50	26.57	32.40	5.15
22	10.50	11.57	17.40	4.65	53	26.00	27.07	32.90	5.15
23	11.00	12.07	17.90	4.65	54	26.50	27.57	33.40	5.15
24	11.50	12.57	18.40	4.65	55	27.00	28.07	33.90	5.15
25	12.00	13.07	18.90	4.65	56	27.50	28.57	34.40	5.15
26	12.50	13.57	19.40	4.65	57	28.00	29.07	34.90	5.15
27	13.00	14.07	19.90	4.65	58	28.50	29.57	35.40	5.15
28	13.50	14.57	20.40	4.65	59	29.00	30.07	35.90	5.15
29	14.00	15.07	20.90	4.65	60	29.50	30.57	36.40	5.15
30	14.50	15.57	21.40	4.65	61	30.00	31.07	36.90	5.15
31	15.00	16.07	21.90	4.65	62	30.50	31.57	37.40	5.15
32	15.50	16.57	22.40	4.65	63	31.00	32.07	37.90	5.15
33	16.00	17.07	22.90	4.65	64	31.50	32.57	38.40	5.15
34	16.50	17.57	23.40	4.65					



RECOMMENDED PCB LAYOUT  
(COMPONENT SIDE)

**SMP TECHNOLOGY, INC.**

FFC Connector, 0.5mm Pitch, Top Entry, ZIF, Surface Mount

Type A; Reverse Footprint

P/N: F214-XX28-12X-ZX