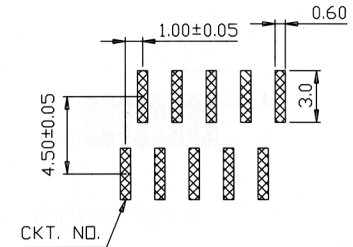
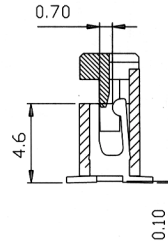
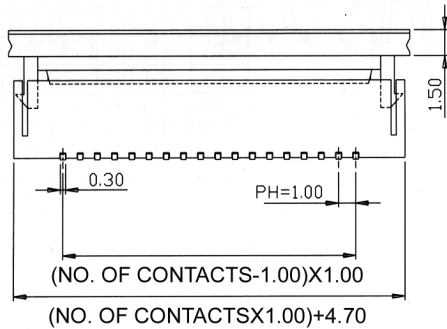


FPC/FFC $t=0.30\pm 0.05$



P.C.B. LAYOUT



ELECTRICAL:

CURRENT RATING: 0.5A
 CONTACT RESISTANCE:
 < 30 Milliohm Max.
 INSULATION RESISTANCE:
 > 1000 Megaohm Min.
 DIELECTRIC WITHSTANDING VOLTAGE:
 50V (rms) AC for 1 Minute
 OPERATING TEMPERATURE: -40°C to +105°C

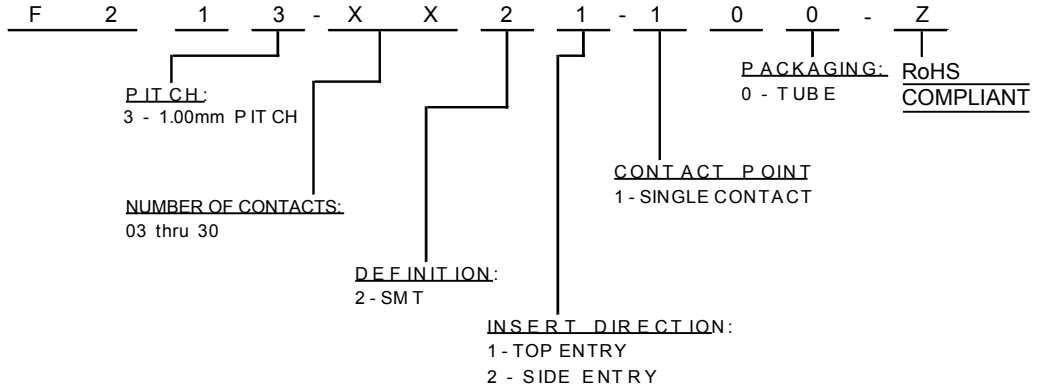
MATERIAL:

INSULATOR: Thermoplastic
 FLAMMABILITY RATING: UL 94V-0
 CONTACT MATERIAL: Copper Alloy
 PLATING: Tin Plating over Nickel

SOLDERABILITY:

PER MIL-STD-202F METHOD 208D

HOW TO ORDER:



Rev		Apv.	Date
0	Issued	S.E.	3/3/00
A	Revised for RoHS Compliance	WHS	5/19/06

SMP TECHNOLOGY, INC.

SCALE	MAT'L	FINISH
-------	-------	--------

Flexible Cable Connectors, ZIF (FFC)

TOL. DEC.	.X +/- 0.35	.XX +/- 0.25	.XXX +/-	ANGLE +/-	UNIT: mm
-----------	-------------	--------------	----------	-----------	----------

P/N: F 2 1 3 - X X 2 1 - 1 0 0 - Z