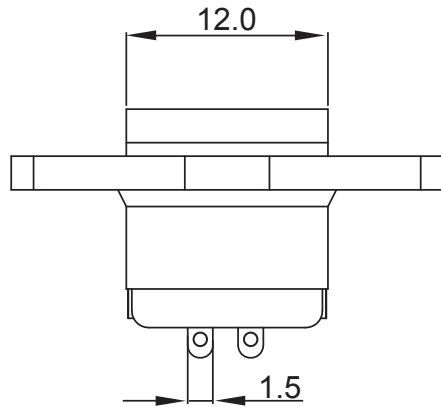


ISOMETRIC VIEW



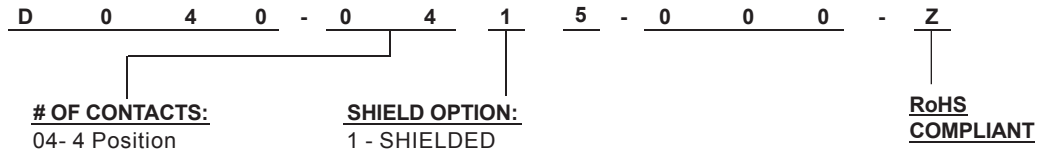
**ELECTRICAL:**

CURRENT RATING: 7.5A / DC Max.  
 RATED VOLTAGE: 25V / DC Max.  
 OPERATING TEMPERATURE: - 20°C To 85°C

**MATERIAL:**

HOUSING: PBT (UL94V-0)  
 PIN: Phosphor Bronze, Nickel Plated  
 SHELL: Brass, Nickel Plated  
 SCREW: Brass, Nickel Plated  
 CONTACT : Phosphor Bronze, TIn plate over Nickel

**HOW TO ORDER:**



Rev	Drawn	Checked	Approved	Date
0	B.S	S.M.	S.M.	05/12/11

**SMP TECHNOLOGY, INC.**

Panel Mount Power Mini DIN, 4 Position, Shielded ;Short Body

TOL. DEC. .X +/- 0.25 .XX +/- 0.10 .XXX +/- ANGLE +/- UNIT: mm

P/N: D040-0415-000-Z