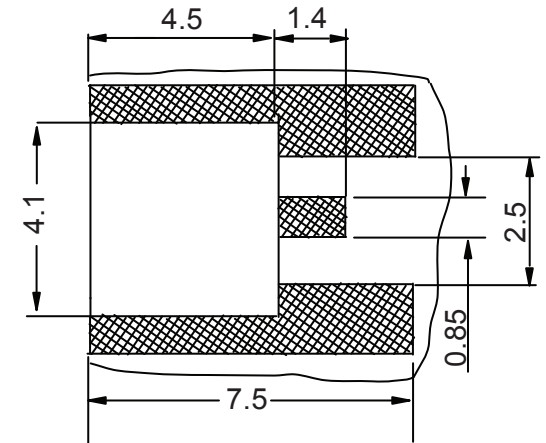
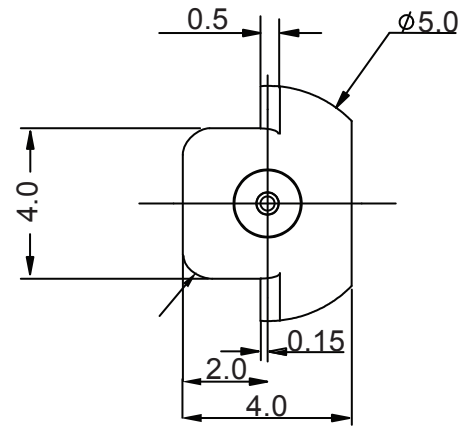
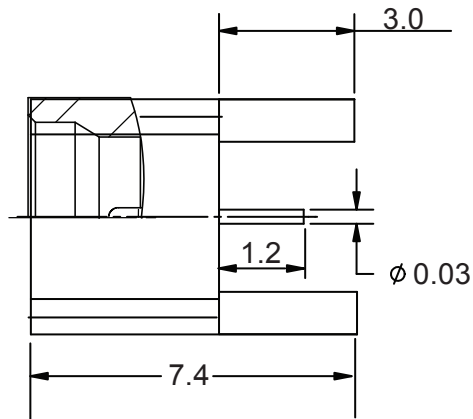


03	CENTER PIN	Be Cu	5u" GOLD	1
02	INSULATOR	TEFLON	NONE	1
01	BODY	BRASS	3u" GOLD	1
NO	DESCRIPTION	MATERIAL	FINISH	Q'TY



Recommended PCB Layout Dimensions

**ELECTRICAL:**

WORKING VOLTAGE: 170V RMS  
 VSWR: ≤ 1.25 (0~12 GHz)  
 INSERTION LOSS: 0.1dB @ 1 GHz  
 IMPEDENCE: 50 ohm (0-12 GHz.)  
 CONTACT RESISTANCE: < 6mΩ DC0.2V; 1 Amp  
 INSULATOR RESISTANCE: > 5000MΩ DC 500 V/60 Sec.  
 DIELECTRIC WITHSTANDING VOLTAGE: 500V RMS, 50Hz

**MATERIAL:**

BODY: BRASS, Au PLATING  
 CENTER CONTACT: BERYLLIUM COPPER, Au PLATING  
 INSULATOR: PTFE

**MECHANICAL:**

DURABILITY: 500 CYCLES Min.  
 ENGAGEMENT/DISENGAGEMENT FORCE: 45N Max / 9 N Min.

**HOW TO ORDER:**

C 7 0 0 - B 5 0 0 - 4 0 0 0 - Z

RoHS  
COMPLIANT

Rev	Description	Drawn	Checked	Approved	Date
0	Issued	BS	S.M.	S.M.	10/21/15

**SMP TECHNOLOGY, INC.**

SMP ( Sub-Miniature Push On) Surface Mount ; End Launch Plug

Limited Detent

TOL. DEC. 0.5-6 = ±0.2 30-120 = ±0.6  
 6-30 = ±0.4 120-315 = ±1 ANGLE +/- 3° UNIT: mm

P/N: C700-B500-4000-Z