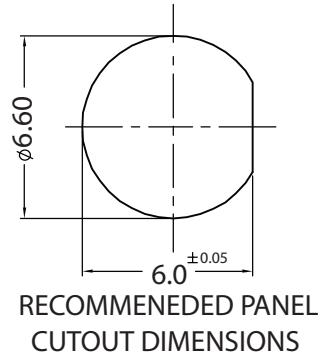
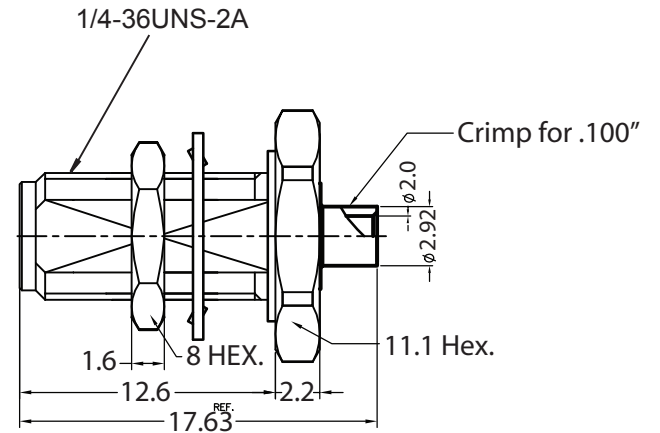


Letter	Millimeters	
	Minimum	Maximum
A	5.28	5.49
B	4.60	4.67
C	1.88	1.98
D	0.0	0.25
E	0.38	1.14
F	2.92	-
		0.25
H	4.32	-
J	1.24	1.30
K	5.54	-



RECOMMENDED PANEL CUTOUT DIMENSIONS



INTERFACE DIMENSIONS

MECHANICAL:

Durability : 500 Cycles

ENVIRONMENTAL:

- Temperature Range: -55 C° to 125 C°
- Vibration : MIL STD 202, Method 106, Cond D
- Shock : MIL STD 202, Method 213, Cond I
- Corrosion : MIL STS 202, Method 101 , Cond B

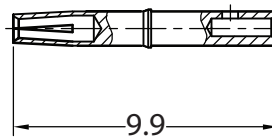
ELECTRICAL:

- Impedence - 0~6 GHz; 50 Ohms
- Voltage Rating - 335V (rms)
- Dielectric Withstanding Voltage- (DC, Time 60 Sec.) 500 V
- Contact Resistance -Center Contact (DC 0.2V; 1A) 3 milliohms Max.
- Outer Contact (DC 0.2V, 1 A) 2 milliohms Max
- Insulation Resistance - (DC 500V; Time 60 Sec) 5000 Mega Ohms Min.

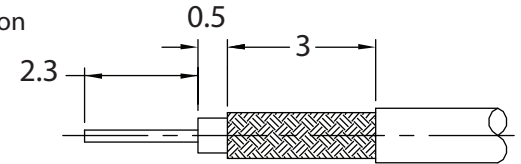
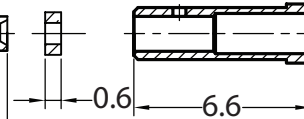
MATERIAL :

- Body - Brass; Gold Plate over Nickel
- Insulator - Teflon ; MIL-P-19468
- Contact - Phosphor Bronze; 10 u" Au Plated over Nickel

Center Contact Solder Connection



Ferrule - Crimp Connection



Recommended Cable Stripping Dimensions

Rev	Description	Drawn	Checked	Approved	Date
0	Issued	B.S.	S.M.	S.M.	09/16/11

SMP TECHNOLOGY, INC.

SMA Bulkhead Receptacle; 50 Ohm ; For 1.37 Cable

SCALE: N/A

TOL. DEC. .X +/- 0.50 .XX +/- 0.10 .XXX +/- 0.05 ANGLE +/- 3° UNIT: mm

P/N: C400-3300-3000-Z

Pg: 1 of 1