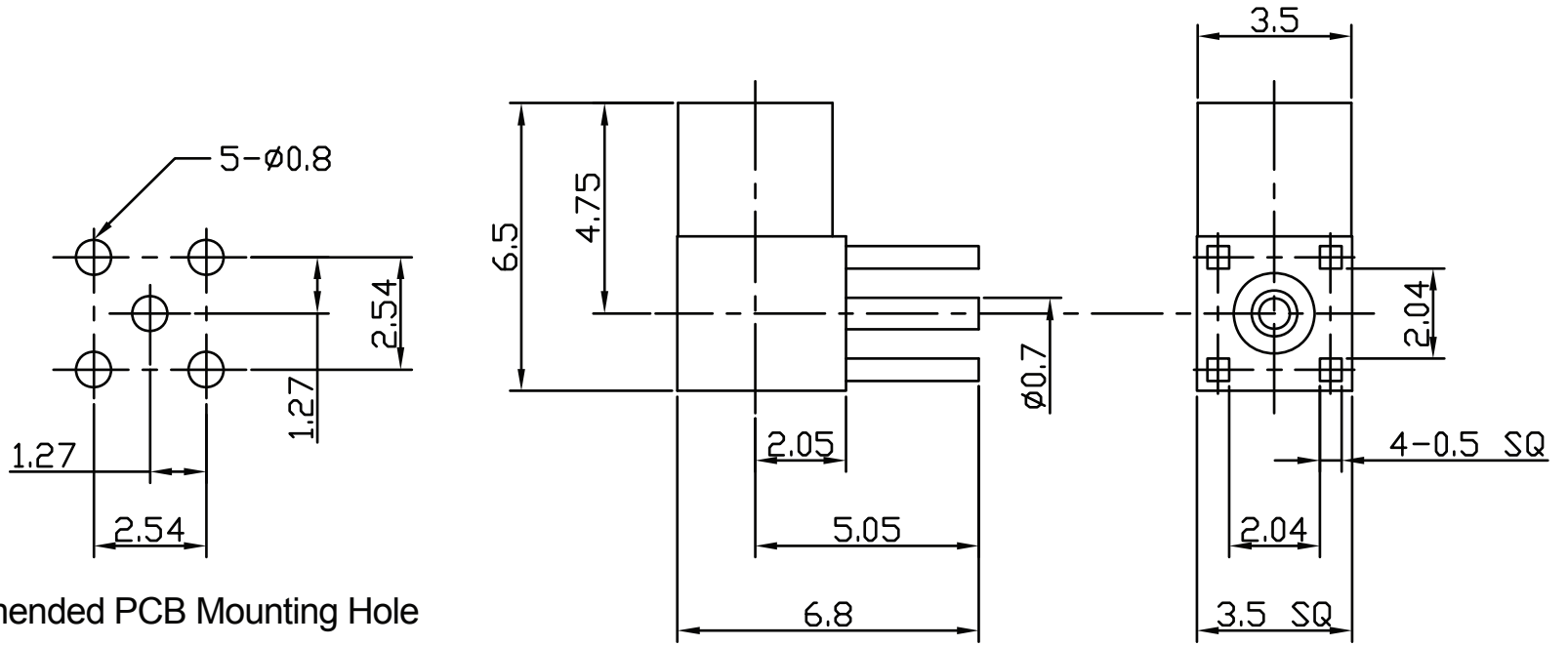


04	INSULATOR B	TEFLON	NONE	1
03	INSULATOR A	TEFLON	NONE	1
02	PIN	PHOS BRONZE	GOLD	1
01	BODY	BRASS	GOLD	1
NO	DESCRIPTION	MATERIAL	FINISH	Q'TY



Recommended PCB Mounting Hole

HOW TO ORDER

C 1 0 0 - 5 1 1 0 - 2 0 0 0 - Z

RoHS
COMPLIANT

Rev	Description	Drawn	Checked	Approved	Date	SMP TECHNOLOGY, INC. MMCX PCB Jack, Right Angle, 3.0mm PCB Tail Length P/N: C100-5110-2000-z
0	Issued	B.S.	S.M.	S.M.	11/16/11	
TOL. DEC.	.X +/- 0.05	.XX +/- 0.05	.XXX +/- 0.05	ANGLE +/- N/A	UNIT: mm	Pg: 1 of 1