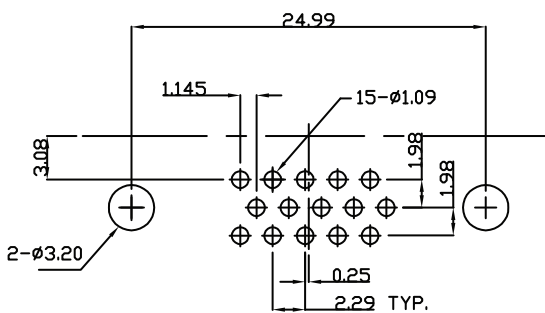
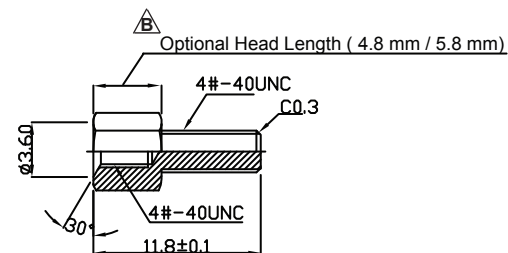
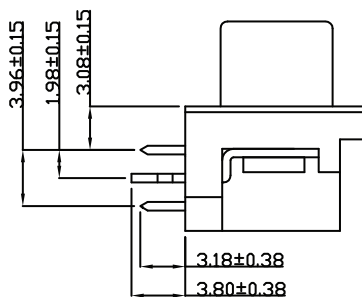
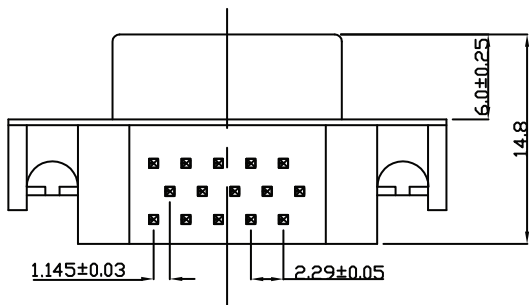


ELECTRICAL:

CURRENT: 5 AMPs
 VOLTAGE: 300V
 WITHSTANDING VOLTAGE: 500V(r.m.s) For 1 MIN.
 INSULATION RESISTANCE: > 5000M ohms at 500V DC
 CONTACT RESISTANCE: 30m ohm MAX.
 DIELECTRIC STRENGTH: 1000V AC For 1 MIN.
 OPERATING TEMPERATURE: -55° C TO +105° C

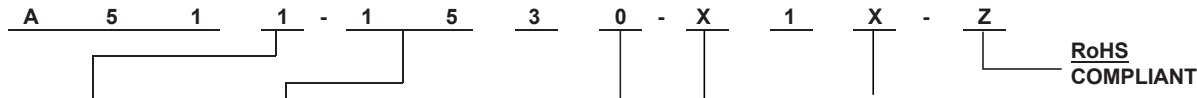
MATERIAL:

INSULATOR: PBT w/GLASS FIBER (UL94V-0) PC99 Blue
 CONTACT: Phosphor Bronze, Specified Gold Thickness over Nickel,
 PC Tails Tin Over Nickel
 SHELL: Steel zinc plated or tin plated
 SCREW: Phosphor Bronze, Nickle Plated



RECOMMENDED P.C.B. LAYOUT

HOW TO ORDER:



CONTACT TYPE: NUMBER OF CONTACTS:

1 - FEMALE

15

INSULATOR

0 - PC99 Blue

FLANGE OPTION

- 0 - # 4/40 Threaded Insert
- 1 - # 4/40 Threaded Insert with 4.8 mm Female Screwlock Installed
- 2 - # 4/40 Threaded Insert with 4.8 mm Female Screwlock (Bulk Packed)
- 3 - # 4/40 Threaded Insert with 5.8 mm Female Screwlock Installed
- 4 - # 4/40 Threaded Insert with 5.8 mm Female Screwlock (Bulk Packed)

CONTACT PLATING:

- 0 - Full Au Flash
- 1 - Au Flash Contact Area/ Tin Tail
- 9 - 15u" Au Contact Area/ Tin Tail
- A - 30u" Au Contact Area/ Tin Tail

RoHS COMPLIANT

Rev	Drawn	Checked	Approved	Date
0	B.S.	S.M.	S.M.	09/30/10
A	B.S.	S.M.	S.M.	07/05/12
B		S.M.	S.M.	12/30/13

SMP TECHNOLOGY, INC.

D-Sub Connector, Ultra Thin, 15 Position, High Density, Female,

Thru Hole, 3.08mm Foot Print, VESA Compliant, Blue Insulator

TOL. DEC. .X +/- 0.35 .XX +/- 0.20 .XXX +/- 0.15 ANGLE +/- 2° UNIT: mm

P/N: A511-1530-X1X-Z

Pg: 1