

PC Board Layout

DIMENSION(mm)

NO. POSITIONS	A	B	C	D
6	13.34	10.16	6.35	15.70
8	15.20	11.43	8.89	17.80

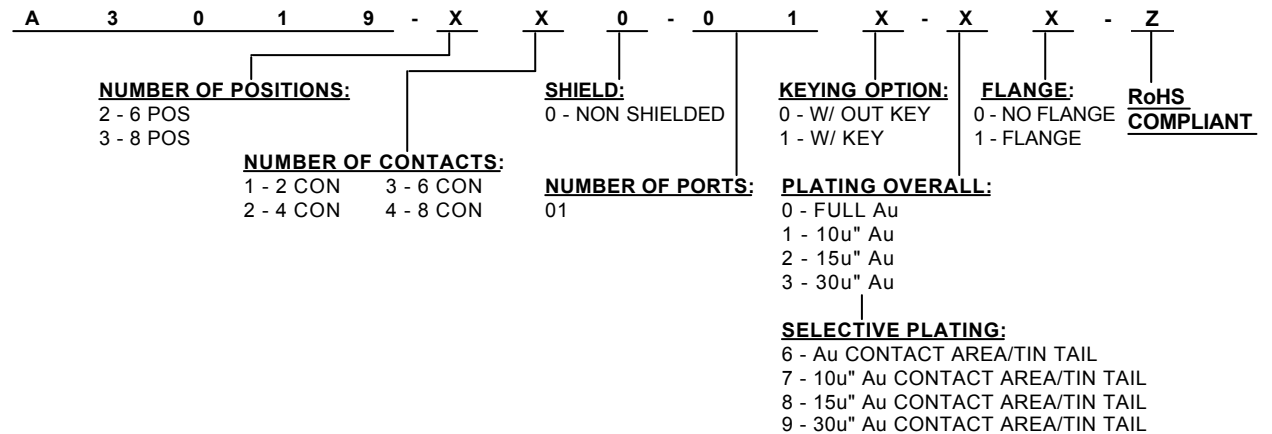
ELECTRICAL:

CURRENT RATING: 1.5A
 CONTACT RESISTANCE: < 20mΩ
 INSULATOR RESISTANCE: > 500MΩ
 DIELECTRIC WITHSTANDING VOLTAGE: 1000V AC FOR 1 MIN.
 OPERATING TEMPERATURE: -25° C TO +85° C

MATERIAL:

CONTACT: PHOSPHOR BRONZE
 INSULATOR: GLASS FILLED POLYESTER (UL94V-0)

HOW TO ORDER:



Rev	Drawn	Checked	Approved	Date
0 Issued	S.E.	S.M.	S.M.	10/01/97
A Revised for RoHS Compliance	B.S.	S.M.	S.M.	08/25/08

SMP TECHNOLOGY, INC.

PCB JACK, RIGHT ANGLE, LOW PROFILE

TOL. DEC. .X +/- 0.35 .XX +/- 0.25 .XXX +/-0.15 ANGLE +/- UNIT: mm

SERIES: A3019