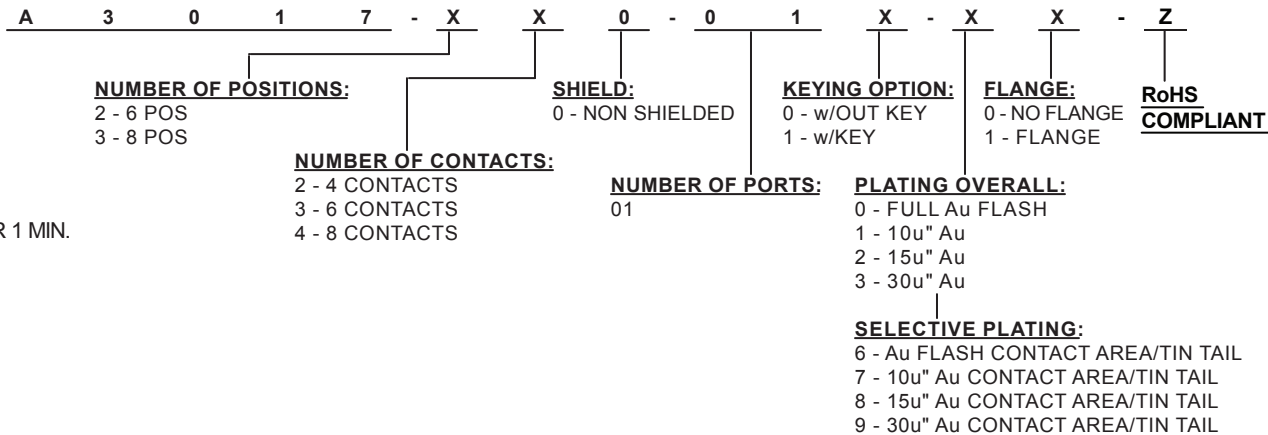


HOW TO ORDER:



ELECTRICAL:

CURRENT RATING: 1.5A
 CONTACT RESISTANCE: < 20mΩ
 INSULATOR RESISTANCE: > 500MΩ
 DIELECTRIC WITHSTANDING VOLTAGE: 1000V AC FOR 1 MIN.
 OPERATING TEMPERATURE: -25° C TO +85° C

MATERIAL:

CONTACT: PHOSPHOR BRONZE
 INSULATOR: GLASS FILLED POLYESTER (UL94V-0)

Rev	Drawn	Checked	Approved	Date
0	A.M.	S.M.	S.M.	10/09/03
A	B.S.	S.M.	S.M.	08/25/08

SMP TECHNOLOGY, INC.

RJ Jack (RJ11, RJ12, RJ45), Non Shielded, Non Closed Bottom, CAT 5e

TOL. DEC. .X +/- 0.35 .XX +/- 0.25 .XXX +/-0.15 ANGLE +/- UNIT: mm

P/N: A3017-XX0-01X-XX-Z