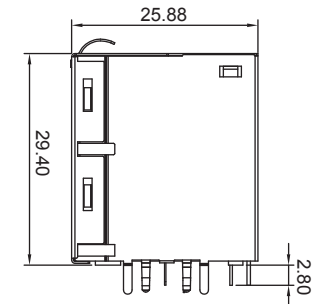
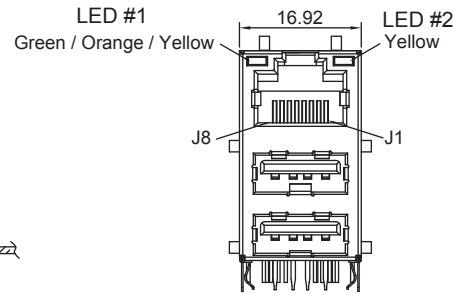
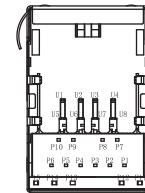
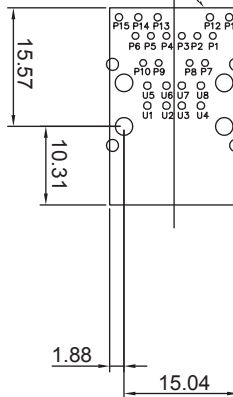


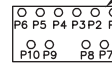
RECOMMENDED PANEL CUTOUT



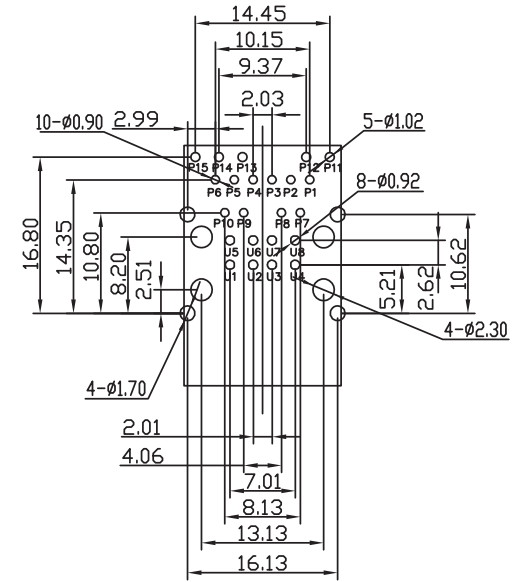
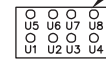
CONNECTOR BOUNDARY



SIGNAL PINS



USB PINS



RECOMMENDED PCB LAYOUT COMPONENT SIDE

Meets IEEE 802.3 Specification

RJ45 SPECIFICATION:

ELECTRICAL CHARACTERISTICS:
 INSULATION RESISTANCE: 1000 MOHMS Min. @ 500 VDC
 DIELECTRIC STRENGTH: 500VAC RMS 60Hz, 1 MIN.

MECHANICAL CHARACTERISTICS:

MATING / UNMATING FORCES: 5 LBS. Max.
 DURABILITY (MATING/UNMATING CYCLES): 1000 Cycles
 OPERATING TEMPERATURE: -40° C TO + 85° C
 STORAGE TEMPERATURE: -40° C TO + 85° C
 CONNECTOR TO PCB INSERTION FORCE: < 8 Lbs.

USB SPECIFICATION:

CONTACT: Phosphor Bronze
 CONTACT PLATING: Selective Au plating in Contact Mating Area, Tin Plating PC tail;
 All over 50u" Nickel Subplate

MATERIAL:

INSULATOR : Thermoplastic Black UL 94 V-0
 INSERT: PBT W/ Glass Fill- UL 94V-0

CONTACT: Phosphor Bronze

CONTACT PLATING: Selective Au plating in Contact Mating Area, Tin Plating PC tail; All over 50u" Nickel Subplate
 SHELL: Copper Alloy with 20u" Nickel Plating

HOW TO ORDER:

A 3 0 1 2 - U 7 S - S T 2 - X 4 0 - 9 Y - Z

LED 1: SEE LED TABLE
LED 2: SEE LED TABLE

SELECTIVE PLATING:

- 6 - Au FLASH CONTACT AREA/TIN TAIL
- 7 - 10u" Au CONTACT AREA/TIN TAIL
- 8 - 15u" Au CONTACT AREA/TIN TAIL
- 9 - 30u" Au CONTACT AREA/TIN TAIL

RoHS COMPLIANT

Rev	Drawn	Checked	Approved	Date
0 Issued	B.S.	S.M.	S.M.	11/16/17

SMP TECHNOLOGY, INC.

RJ45 Over (2)USB, With Transformer Type TE Gigabit Ethernet,

With LED's, Shielded

SCALE:n/a

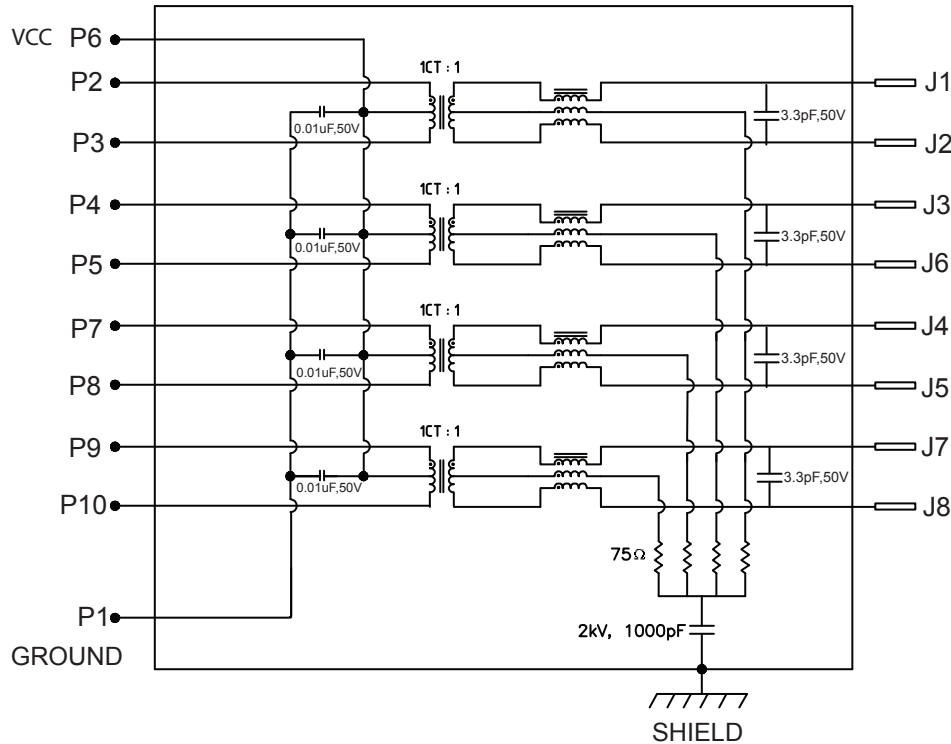
TOL. DEC. .X +/- 0.25 .XX +/- 0.20 .XXX +/- 0.05 ANGLE +/- 1° UNIT: mm

P/N: A3012 - U7S - ST2 - X40 - 9Y - Z

TRANSFORMER TYPE TE

PCB CONNECTION

RJ 45 CONNECTOR

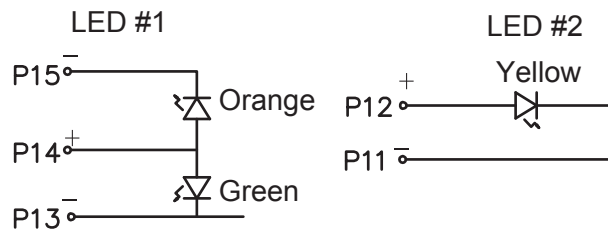


SPECIFICATION:

Insertion Loss	-1.1 dB Max 1 - 100MHz
Inductance OCL	350 uH Min @100KHz 100mV 8mA DC Bias
Return Loss	-18.0 dB Min .5MHz - 40MHz -[12-20 Log(f/80)]dB Min.@1-100Mhz
Crosstalk	- 35 db Min. .5MHz - 40MHz -[33-20Log(f/50)]dB Min@40-100Mhz.
Common Mode Rejection	- 30 db Min. .5MHz - 100MHz
Hipot	1500VAC, 1mA, 2 Sec

LED SPECIFICATION

Standard LED	Wavelength	Forward Current	Forward V (Max)	TYP
Green	565nm	20 mA	2.4V	2.2V
Yellow	585nm	20 mA	2.5V	2.1V
Orange	610nm	20 mA	2.5V	2.0V



Note : LED #1 will emulate Yellow when ooth Green and Orange are driven at constant current to show the third color state

SMP TECHNOLOGY, INC.

RJ45 Over (2)USB, With Transformer Type TE Gigabit Ethernet,

With LED's, Shielded

SCALE:n/a

TOL. DEC. .X +/- 0.25

.XX +/- 0.20

.XXX +/- 0.05

ANGLE +/- 1°

UNIT: mm

P/N: A3012 - U7S - ST2 - X40 - 9Y - Z

Pg: 2 of 2