

Meets IEEE 802.3 Specification

RJ45 SPECIFICATION:

ELECTRICAL CHARACTERISTICS:
 INSULATION RESISTANCE: 1000 M OHMS Min. @ 500 VDC.
 DIELECTRIC STRENGTH: 500VAC RMS 60HZ, 1 MIN.

MECHANICAL CHARACTERISTICS:

MATING / UNMATING FORCES: 5 LBS. Max .
 DURABILITY (MATING/UNMATING CYCLES): 1000 Cycles
 OPERATING TEMPERATURE: 0° C TO + 70° C
 STORAGE TEMPERATURE: -40° C TO + 85° C
 CONNECTOR TO PCB INSERTION FORCE: < 8 Lbs.

USB SPECIFICATION:

ELECTRICAL CHARACTERISTICS:
 CONTACT CURRENT RATING: 1.5 AMP
 CONTACT RESISTANCE: 30 mOHMS MAX.
 DIELECTRIC WITHSTANDING VOLTAGE: 500 VAC RMS 60HZ, 1 MIN
 INSULATION RESISTANCE: 1000M OHMS MIN @ 500 VDC.
 MECHANICAL CHARACTERISTICS:
 CONTACT MATING FORCE: 34.3N (3.5kg) MAX.
 CONNECTOR UNMATING FORCE: 9.8N (1.0kg) MIN.
 DURABILITY: 1500 CYCLES.
 OPERATING TEMPERATURE: 0° C TO + 70° C

MATERIAL:

INSULATOR: Thermoplastic PA46 UL 94 V-0 (USB & RJ45)
 INSERT: PBT W/ Glass Fill- UL 94V-0
 CONTACT: (USB & RJ45) Phosphor Bronze
 CONTACT PLATING: 50 u" Nickel Underplate and 30u" Selective Gold in Contact Mating Area
 100u" Matte Tin plating on PC contact tails.
 SHELL: Copper Alloy with 20u" Nickel Plating
 LIGHT PIPE: Polycarbonate: UL 94 V-2

HOW TO ORDER:

A 3 0 1 2 - U 5 S - S T 3 - 8 1 0 - X X - Z

LED OPTION TABLE:

OPTION	FORWARD	REVERSE
G	GREEN	---
Y	YELLOW	---
R	RED	---
1	GREEN	ORANGE
2	YELLOW	ORANGE
3	GREEN	RED
4	YELLOW	RED
5	GREEN	YELLOW
6	YELLOW	GREEN
7	RED	GREEN
8	RED	YELLOW

LED 1: LED 2:
 CHOOSE OPTION FROM TABLE
 RoHS COMPLIANT

Rev	Drawn	Checked	Approved	Date
0 Issued	B.S.	S.M.	S.M.	01/06/10

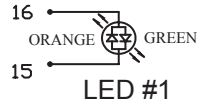
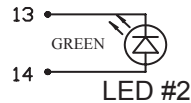
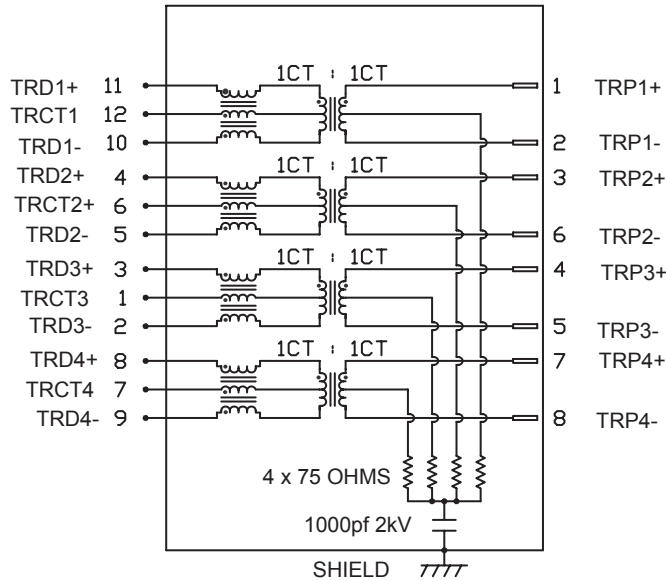
SMP TECHNOLOGY, INC.
 RJ45,12P12C,USB, With Transformer Type T5 Gigabit Ethernet,
 Single USB; With LED's, Shielded; Type II
 P/N: A3012 - U5S - ST3 - 810 - 1G - Z Pg: 1 of 2

SCALE:n/a

TOL. DEC. .XX +/- 0.30 .XX +/- 0.25 .XXX +/- 0.13 ANGLE +.45 / -.15 UNIT: mm

TRANSFORMER TYPE T5

SCHEMATIC



SPECIFICATION:

- Turns Ratio:
@50KHz,0.1V: 1 : 1 ±5%
- Insertion Loss:
@ 1- 65MHz : -0.5 dB Max
@ 65- 100MHz: -0.8 dB Max
@ 100-125MHz: -1.2 dB Max
- Return Loss:
@ 1 - 40MHz : -18 dB Min
@ 40-100MHz : -12 +20 Log(f/80MHz.) db Min
- Common Mode Rejection:
@100KHz-100MHz: -30dB Min
- Crosstalk:
@100KHz-100MHz : -33 +20 Log(f/100MHz) dB Min
- OCL: @100KHz, 0.100mV
8mA DC : 350uH Min.
- Hi-Pot : 1500VAC, 1mA, 2 Sec.

SCALE:n/a

TOL. DEC. .XX +/- 0.30 .XX +/- 0.25 .XXX +/- 0.13 ANGLE +.45 / -.15 UNIT: mm

SMP TECHNOLOGY, INC.

RJ45,12P12C,USB, With Transformer Type T5 Gigabit Ethernet,

Single USB; With LED's, Shielded; Type II

P/N: A3012 - U5S - ST3 - 810 - 1G - Z

Pg: 2 of 2