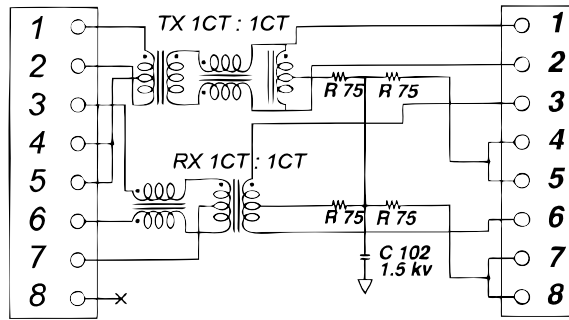


TRANSFORMER TYPE 1



CONNECTOR SOLDER SIDE

CONTACT SIDE

CONNECTOR SCHEMATIC

ELECTRICAL:

CURRENT RATING: 1.5A Min.

CONTACT RESISTANCE:

< 20 Milliohm Max.

INSULATION RESISTANCE:

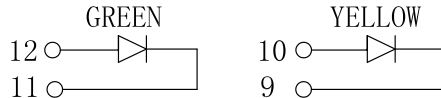
> 500 Megaohm Min.

DIELECTRIC WITHSTANDING VOLTAGE:

1000V (rms) AC for 1 Minute

OPERATING TEMPERATURE:

-25° C to +90° C



LED SCHEMATIC

MATERIAL:

INSULATOR: NYLON 46 (UL94V-0)

CONTACT: 0.35mm Thickness Phosphor Bronze

CONTACT PLATING: Nickel Plated and With 30u Gold Plated

MECHANICAL:

DURABILITY: 500 Mating Cycles Min.

HOW TO ORDER:

A 3 0 1 2 - U 1 S - N 0 0 - X 0 0 - X X - Z

LED

FORWARD DC CURRENT: 2mA

FORWARD VOLTAGE: 1.8 V Typical

REVERSE VOLTAGE: 5 V Min.

POWER DISSIPATION: Green=24 mW; Yellow=36 mW

USB

NO.	NAME	MATERIAL	FINISH	QTY	REMARK
1	Housing	P.B.T.	Black	1	
2	Pin Term.	Phos. Bronze	Gold-Tin Plated	8	Ni:1~5u, TIN:3u, GOLD:1~3u
3	Shell	Brass, 0.3mm	Tin Plated	1	TIN:2~3u
4	Shell	Brass, 0.3mm	Nickel Plated	1	Ni:2~3u
5	Shell	SPCC, 0.3mm	Nickel Plated	1	Ni:2~3u

SELECTIVE PLATING:

6 - Au CONTACT AREA/TIN TAIL

7 - 15u" Au CONTACT AREA/TIN TAIL

8 - 30u" Au CONTACT AREA/TIN TAIL

9 - 50u" Au CONTACT AREA/TIN TAIL

Specification :

Item	Parameter	Condition	Min.	Typ.	Max.	Unit	Remark
1.	Insertion loss	1-100 MHz			-1	dB	
2.	Return loss	1-30 MHz	-18			dB	
		30-60 MHz	-16			dB	
3.	Comm. To Diff. Rejection	100KHz-					
		100MHz	-35			dB	
4.	Comm. To Comm. Rejection	-30 min@1MHz to 50Mhz					
		-20 min@5MHz to 150Mhz					
5.	OCL	100KHz	350			uH	
6.	Crosstalk	Min @1MHz to 10MHz	-40			dB	
		Min @32MHz to 60MHz	-35			dB	
		Min @60MHz to 100MHz	-30			dB	
7.	Hipot	Vrms	1.5			KV	
8.	Turn Ratio (Chip: Cable)	TX:1 :1					
		RX:1 :1					CT

LED OPTION TABLE:

OPTION	FORWARD	REVERSE
G	GREEN	-----
Y	YELLOW	-----
R	RED	-----
1	GREEN	ORANGE
2	YELLOW	ORANGE
3	GREEN	RED
4	YELLOW	RED
5	GREEN	YELLOW
6	YELLOW	GREEN
7	RED	GREEN
8	RED	YELLOW

LED 1: CHOOSE OPTION FROM TABLE
LED 2: CHOOSE OPTION FROM TABLE
RoHS COMPLIANT

Rev	Drawn	Checked	Approved	Date
0	A.M.	S.M.	S.M.	04/01/02
A	D.H.	S.M.	S.M.	06/21/04
B	B.S.	S.M.	S.M.	10/10/07
C	B.S.	S.M.	S.M.	11/9/07

SMP TECHNOLOGY, INC.

SCALE:n/a RJ45 / USB, With Transformer Type1, With LED, Shielded

TOL. DEC. .XX +/- 0.25 .XXX +/- 0.13 .XXXX +/- .05 ANGLE +.45 / -.15 UNIT: mm P/N: A3012 - U1S - N00 - X00 - XX - Z