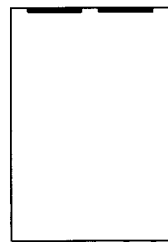


**LED OPTION TABLE:**

OPTION	FORWARD	REVERSE
G	GREEN	----
Y	YELLOW	----
R	RED	----
1	GREEN	ORANGE
2	YELLOW	ORANGE
3	GREEN	RED
4	YELLOW	RED
5	GREEN	YELLOW
6	YELLOW	GREEN
7	RED	GREEN
8	RED	YELLOW

**ELECTRICAL:**

CURRENT RATING: 1.5A Min.  
 CONTACT RESISTANCE:  
 < 20 Milliohm Max.  
 INSULATION RESISTANCE:  
 > 500 Megaohm Min.  
 DIELECTRIC WITHSTANDING VOLTAGE:  
 1000V (rms) AC for 1 Minute  
 OPERATING TEMPERATURE:  
 -25° C to +90° C



**MATERIAL:**

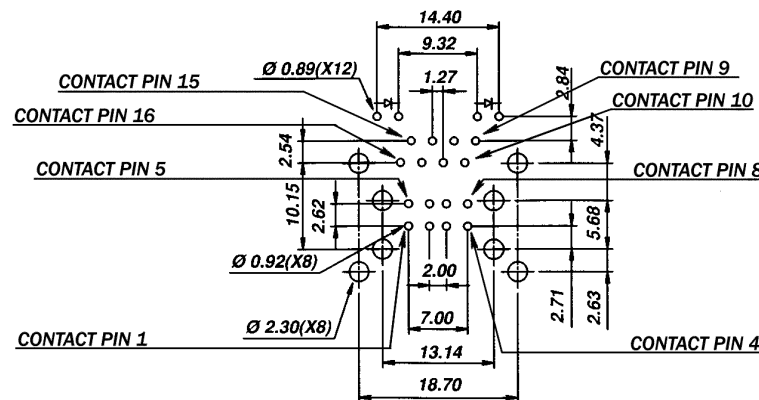
INSULATOR: NYLON 46 (UL94V-0)  
 CONTACT: 0.35mm Thickness Phosphor Bronze  
 CONTACT PLATING: Nickel Plated and With 30u Gold Plated

**MECHANICAL:**

DURABILITY: 500 Mating Cycles Min.

**LED**

FORWARD DC CURRENT: 2mA  
 FORWARD VOLTAGE: 1.8 V Typical  
 REVERSE VOLTAGE: 5 V Min.  
 POWER DISSIPATION: Green=24 mW; Yellow=36 mW



PC Board Layout

**HOW TO ORDER:**

**A 3 0 1 2 - U 0 S - N 0 0 - 8 0 0 - X X - Z**

**LED 1: LED 2: RoHS**  
 CHOOSE OPTION COMPLIANT  
 FROM TABLE

**SELECTIVE PLATING:**

- 6 - Au CONTACT AREA/TIN TAIL
- 7 - 15u" Au CONTACT AREA/TIN TAIL
- 8 - 30u" Au CONTACT AREA/TIN TAIL
- 9 - 50u" Au CONTACT AREA/TIN TAIL

**USB**

NO.	NAME	MATERIAL	FINISH	QTY	REMARK
1	Housing	P.B.T.	Black	1	
2	Pin Term.	Phos. Bronze	Gold-Tin Plated	8	Ni:1~5u, TIN:3u, GOLD:1~3u
3	Shell	Brass, 0.3mm	Tin Plated	1	TIN:2~3u
4	Shell	Brass, 0.3mm	Nickel Plated	1	Ni:2~3u
5	Shell	SPCC, 0.3mm	Nickel Plated	1	Ni:2~3u

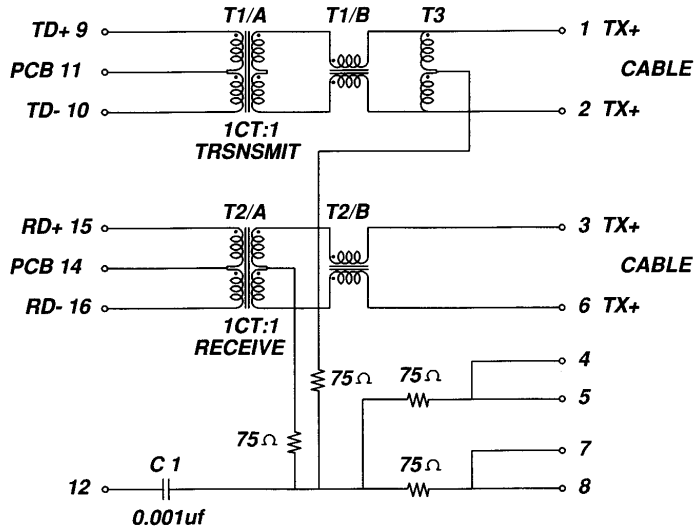
Rev	Drawn	Checked	Approved	Date
0	A.M.	S.M.	S.M.	04/01/02
A	B.S.	S.M.	S.M.	10/5/07

**SMP TECHNOLOGY, INC.**

SCALE:n/a RJ45 / USB, With Transformer Type2, With LED, Shielded

TOL. DEC. .XX +/- 0.25 .XXX +/- 0.13 .XXXX +/- .05 ANGLE +.45 / -.15 UNIT: mm P/N: A3012 - U0S - N00 - 800 - XX - Z

**TRANSFORMER TYPE 2**



**SCHEMATIC**

**SPECIFICATION :**

**ELECTRICAL @ 25°C**  
**HIPOT : 1500 VRMS AT 60HZ FOR 1 MIN.**  
**OCL : 400 uH WITH 8mA BIAS AT 100 KHZ.**

**TRANSMIT/RECEIVE :**

FREQUENCY	ATTENUATION
1 MHZ	-1.0dB MAX.
10 MHZ	-1.0dB MAX.
30 MHZ	-1.0dB MAX.
65 MHZ	-1.0dB MAX.

**RETURN LOSS :**

FREQUENCY	TRANSMIT/RECEIVE (S11)
1 MHZ	-20dB MIN.
10 MHZ	-20dB MIN.
30 MHZ	-16dB MIN.
60 MHZ	-12dB MIN.
80 MHZ	-12dB MIN.

**COMMON-MODE REJECTION :**

FREQUENCY	TRANSMIT	RECEIVE
5 MHZ	30dB MIN.	30dB MIN.
10 MHZ	30dB MIN.	30dB MIN.
50 MHZ	30dB MIN.	30dB MIN.
100 MHZ	20dB MIN.	20dB MIN.
130 MHZ	20dB MIN.	20dB MIN.

**CROSSTALK :**

FREQUENCY	ATTENUATION (S21)
1 MHZ	-40dB MIN.
10 MHZ	-40dB MIN.
32 MHZ	-35dB MIN.
65 MHZ	-35dB MIN.
100 MHZ	-30dB MIN.

**ELECTRICAL:**

CURRENT RATING: 1.5A Min.  
 CONTACT RESISTANCE:  
 < 20 Milliohm Max.  
 INSULATION RESISTANCE:  
 > 500 Megaohm Min.  
 DIELECTRIC WITHSTANDING VOLTAGE:  
 1000V (rms) AC for 1 Minute  
 OPERATING TEMPERATURE:  
 -25° C to +90° C

**MATERIAL:**

INSULATOR: NYLON 46 (UL94V-0)  
 CONTACT: 0.35mm Thickness Phosphor Bronze  
 CONTACT PLATING: Nickel Plated and With 30u Gold Plated

**MECHANICAL:**

DURABILITY: 500 Mating Cycles Min.

**LED**

FORWARD DC CURRENT: 2mA  
 FORWARD VOLTAGE: 1.8 V Typical  
 REVERSE VOLTAGE: 5 V Min.  
 POWER DISSIPATION: Green=24 mW; Yellow=36 mW

**USB**

NO.	NAME	MATERIAL	FINISH	QTY	REMARK
1	Housing	P.B.T.	Black	1	
2	Pin Term.	Phos. Bronze	Gold-Tin Plated	8	Ni:1~5u, TIN:3u, GOLD:1~3u
3	Shell	Brass, 0.3mm	Tin Plated	1	TIN:2~3u
4	Shell	Brass, 0.3mm	Nickel Plated	1	Ni:2~3u
5	Shell	SPCC, 0.3mm	Nickel Plated	1	Ni:2~3u

**HOW TO ORDER:**

**A 3 0 1 2 - U 0 S - N 0 0 - 8 0 0 - X X - Z**  
 LED 1: LED 2: ROHS  
 CHOOSE OPTION FROM TABLE COMPLIANT

**SELECTIVE PLATING:**

6 - Au CONTACT AREA/TIN TAIL  
 7 - 15u" Au CONTACT AREA/TIN TAIL  
 8 - 30u" Au CONTACT AREA/TIN TAIL  
 9 - 50u" Au CONTACT AREA/TIN TAIL

**LED OPTION TABLE:**

OPTION	FORWARD	REVERSE
G	GREEN	-----
Y	YELLOW	-----
R	RED	-----
1	GREEN	ORANGE
2	YELLOW	ORANGE
3	GREEN	RED
4	YELLOW	RED
5	GREEN	YELLOW
6	YELLOW	GREEN
7	RED	GREEN
8	RED	YELLOW

Rev		<b>SMP TECHNOLOGY, INC.</b>
SCALE:n/a		RJ45 / USB, With Transformer Type2, With LED, Shielded
TOL. DEC. .XX +/- 0.25 .XXX +/- 0.13 .XXXX +/- .05 ANGLE +.45 / -.15 UNIT: mm		P/N: A3012 - U0S - N00 - 800 - XX - Z Pg: 2 of 2