

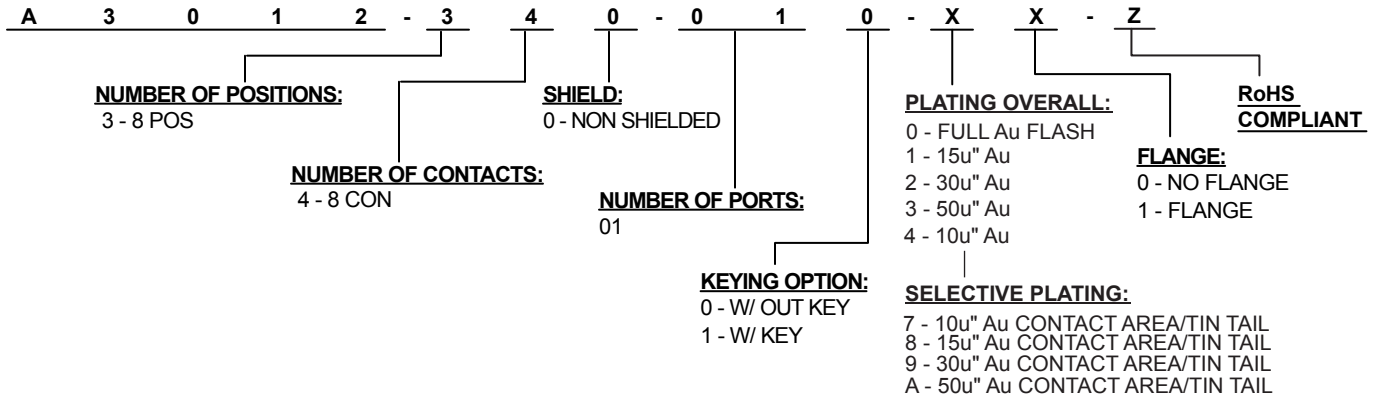
**ELECTRICAL:**

CURRENT RATING: 1.5A Min.  
 CONTACT RESISTANCE:  
 < 20 Milliohm Max.  
 INSULATION RESISTANCE:  
 > 500 Megaohm Min.  
 DIELECTRIC WITHSTANDING VOLTAGE:  
 1000V (rms) AC for 1 Minute  
 OPERATING TEMPERATURE: -25° C to +90° C

**MATERIAL:**

INSULATOR: PBT 20% Glass Filled (UL94V-0)  
 SPRING WIRE: 0.45mm Thickness Phosphor Bronze  
 Gold Plating Over Nickel  
 CONTACT PLATING: Gold Plating on Contact Area  
 Sn or Gold on Solder Area, all over 50u" Nickel

**HOW TO ORDER:**



Rev	Drawn	Checked	Approved	Date
0	A.M.	S.M.	S.M.	10/14/03
A	B.S.	S.M.	S.M.	08/25/08
B	B.S.	S.M.	S.M.	03/20/13

<b>SMP TECHNOLOGY, INC.</b>	
Modular Jack, RJ45, Single Port, Unshielded, 12.7mm Height, Side Entry	