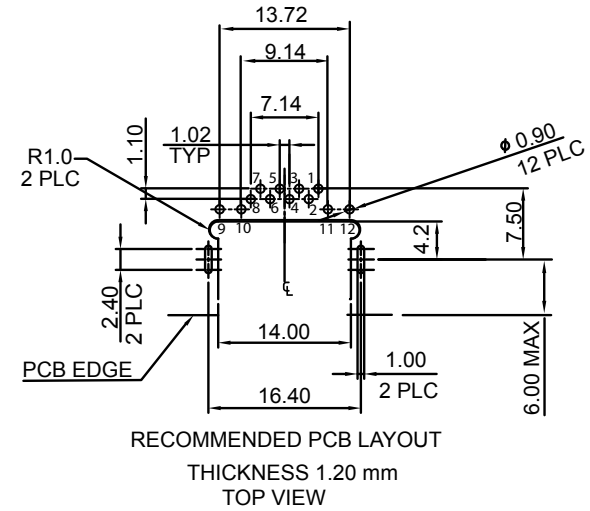
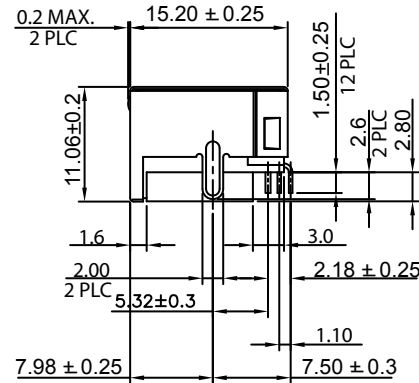
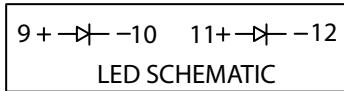


MATES WITH PLUG CONFORMING TO FCC PART 68, SUBPART F.

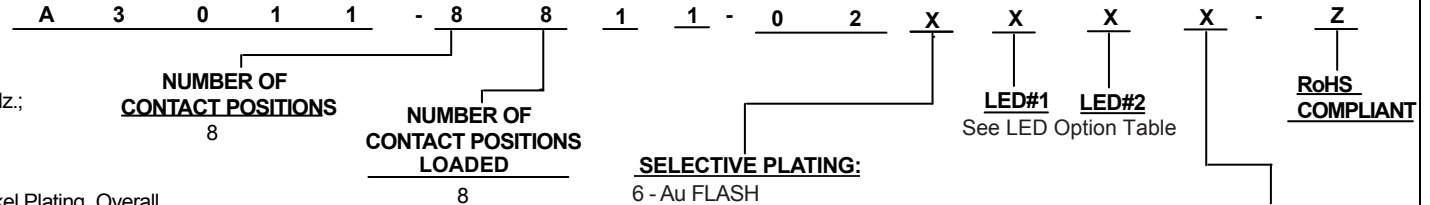


LED OPTION TABLE:

OPTION	FORWARD	REVERSE
G	GREEN	----
Y	YELLOW	----
R	RED	----
1	GREEN	ORANGE
2	YELLOW	ORANGE
3	GREEN	RED
4	YELLOW	RED
5	GREEN	YELLOW
6	YELLOW	GREEN
7	RED	GREEN
8	RED	YELLOW



HOW TO ORDER:



ELECTRICAL:

CURRENT RATING : 1.5 A Max
VOLTAGE RATING : 150 VAC Max
DIELECTRIC WITHSTANDING VOLTAGE: 1KVrms@60Hz;
1 Min. between adjacent contacts

MATERIAL:

HOUSING: PA-46 UL94V-0 Color - Black
SHIELD: 0.20mm Thickness Copper Alloy; 50 - 80 u" Nickel Plating Overall
CONTACT : Phosphor Bronze
CONTACT PLATING: Selective Gold Plating in contact Area over 50 u" Nickel;
Au Flash in PC tail area

SELECTIVE PLATING:

6 - Au FLASH
7 - 10u" Au CONTACT AREA / Au FLASH REMAINDER
8 - 15u" Au CONTACT AREA / Au FLASH REMAINDER
9 - 30u" Au CONTACT AREA / Au FLASH REMAINDER
A - 50u" Au CONTACT AREA / Au FLASH REMAINDER

PACKAGING:

1 - Tray
2 - Tape and Reel

Rev	Drawn	Checked	Approved	Date
0 Issued	B.S.	S.M.	S.M.	05/25/15
SCALE:n/a				
TOL. DEC.	.X +/- 0.25	.XX +/- 0.20	.XXX +/- 0.10	ANGLE +/- UNIT: mm

SMP TECHNOLOGY, INC.	
PCB Jack, 1-Port, Low Profile; Mid Mount ;Shielded W/ LED;	
2.80 mm Offset	
P/N: A3011-8811 -02XXXX-Z	Pg: 1