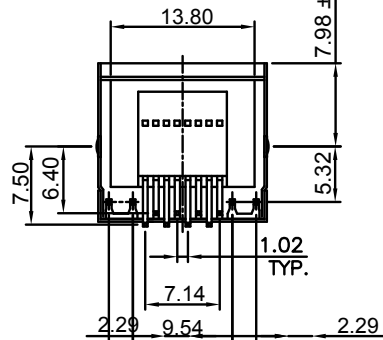


MATES WITH PLUG CONFORMING  
TO FCC PART 68, SUBPART F.



**LED OPTION TABLE:**

OPTION	FORWARD	REVERSE
G	GREEN	----
Y	YELLOW	----
R	RED	----
1	GREEN	ORANGE
2	YELLOW	ORANGE
3	GREEN	RED
4	YELLOW	RED
5	GREEN	YELLOW
6	YELLOW	GREEN
7	RED	GREEN
8	RED	YELLOW

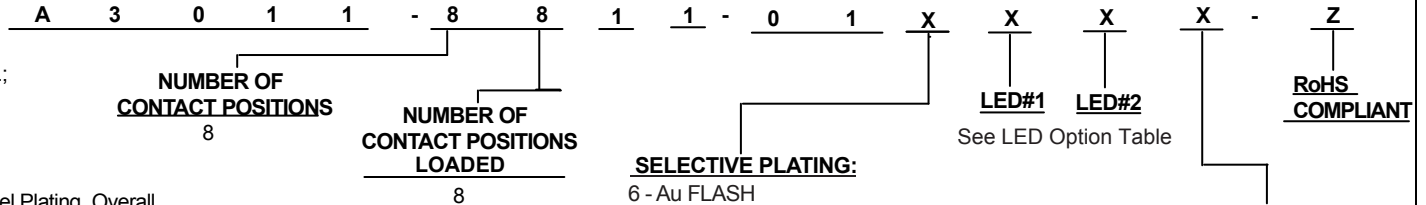
**ELECTRICAL:**

CURRENT RATING : 1.5 A Max  
VOLTAGE RATING : 150 VAC Max  
DIELECTRIC WITHSTANDING VOLTAGE: 1KVrms@60Hz.;  
1 Min between adjacent contacts

**MATERIAL:**

HOUSING: PA-46 UL94V-0 Color - Black  
SHIELD: 0.20mm Thickness Copper Alloy; 50 - 80 u" Nickel Plating Overall  
CONTACT & : 0.35mm Thickness Phosphor Bronze;  
CONTACT PLATING: Selective Gold Plating Contact Area over 50 u" Nickel;  
PC tail area

**HOW TO ORDER:**



**SELECTIVE PLATING:**

6 - Au FLASH  
7 - 10u" Au CONTACT AREA / Au FLASH REMAINDER  
8 - 15u" Au CONTACT AREA / Au FLASH REMAINDER  
9 - 30u" Au CONTACT AREA / Au FLASH REMAINDER  
A - 50u" Au CONTACT AREA / Au FLASH REMAINDER

**PACKAGING:**

1 - Tray  
2 - Tape and Reel

Rev	Drawn	Checked	Approved	Date	
0	B.S.	S.M.	S.M.	04/15/10	
A	B.S.	S.M.	S.M.	02/02/17	
SCALE:n/a					
TOL. DEC.	.X +/-	.XX +/- 0.25	.XXX +/- 0.15	ANGLE +/-	UNIT: mm

<b>SMP TECHNOLOGY, INC.</b>	
PCB Jack, 1-Port, Low Profile; Mid Mount ;Shielded W/ LED;	
4.50 mm Offset	
P/N: A3011-8811 -01XXXX -Z	Pg: 1