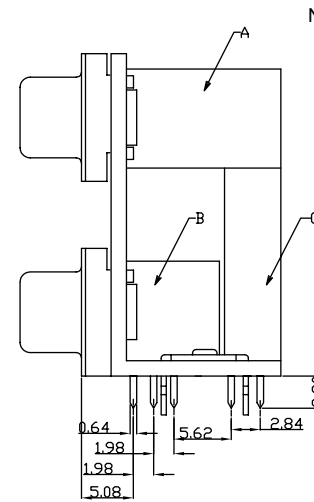
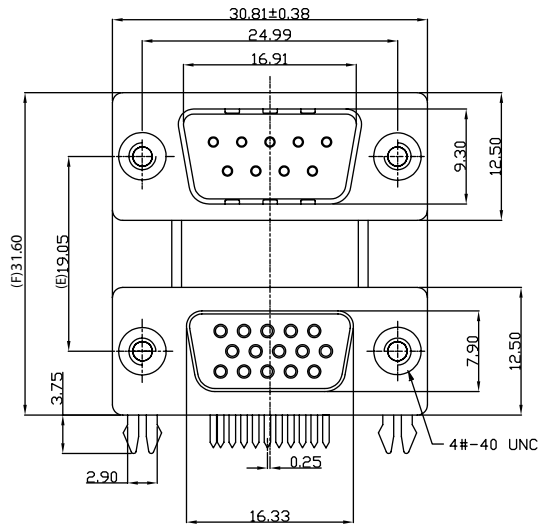


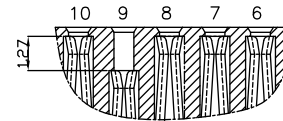
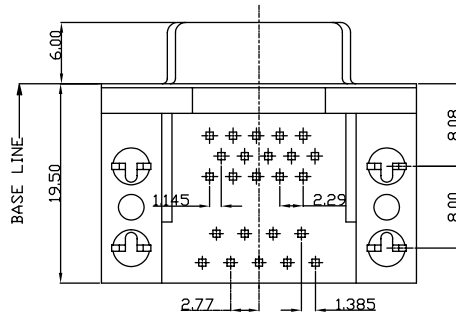
DISTANCE BETWEEN CONNECTORS OPTIONS:

DIMENSION(mm)

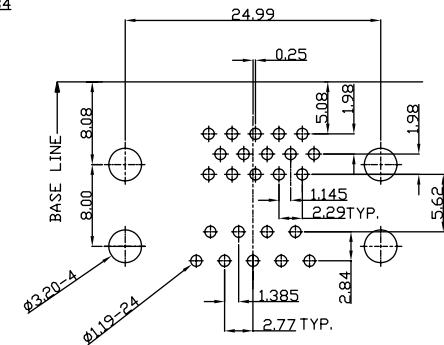
OPTION	E	F
1	15.88	28.42
2	19.05	31.60
3	22.86	35.41



Note: Insulator Color
 (A) DB 9 Male - Green
 (B) HD 15 Female - Blue
 (C) Black



PIN # 9 RECESSED 1.27 mm TO ALLOW LAST MATE/ FIRST BREAK ON 5 VDC SUPPLY



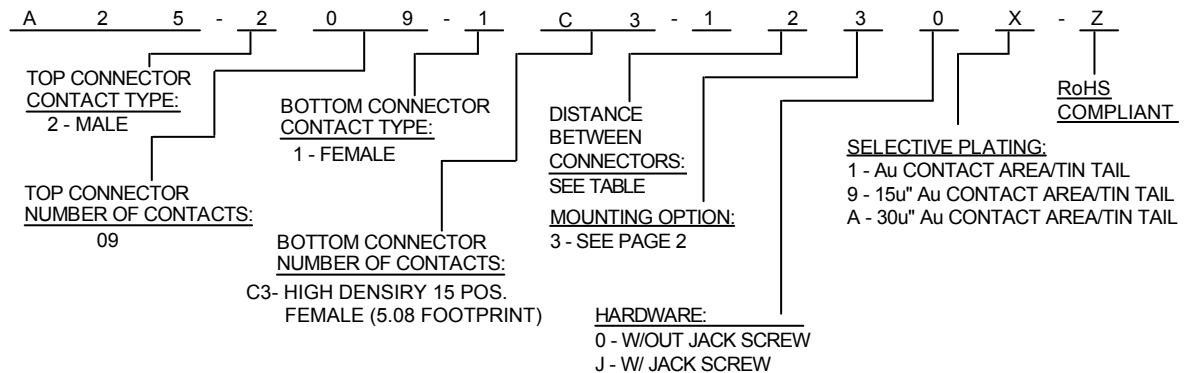
RECOMMENDED PCB LAYOUT TOP SIDE

ELECTRICAL:

CURRENT RATING: 5A
 VOLTAGE RATING: 300VDC
 OPERATING VOLTAGE: 500V
 CONTACT RESISTANCE:
 < 30 Milliohm Max.
 INSULATION RESISTANCE:
 > 1000 Megaohm Min. at 500VDC
 DIELECTRIC WITHSTANDING VOLTAGE:
 1000V (rms) for 1 Minute
 OPERATING TEMPERATURE: -55°C to +105°C

MATERIAL:

INSULATOR: PBT W/ 30% GLASS FIBER FILLED (UL94V-0)
 CONTACT: COPPER ALLOY
 SHELL: STEEL
 CONTACT PLATING: GOLD ON MATING SURFACE
 Sn ON TERMINATION END
 ALL OVER 50 μ" NICKEL



Rev	Drawn	Checked	Approved	Date
0 Issued	B.S.	S.M.	S.M.	5/05/10

SMP TECHNOLOGY, INC.

Dual D-Sub Connector, 9 Position Male Over 15 Position High Density

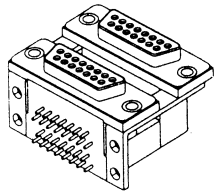
Female (5.08 mm Footprint) ; VESA Compliant

SCALE:n/a

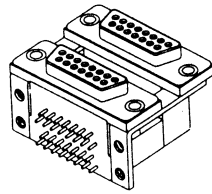
TOL. DEC.	.X +/-0.25	.XX +/- 0.10	.XXX +/- 0.05	ANGLE +/-2°	UNIT: mm
-----------	------------	--------------	---------------	-------------	----------

P/N: A25-209-1C3-1230X-Z

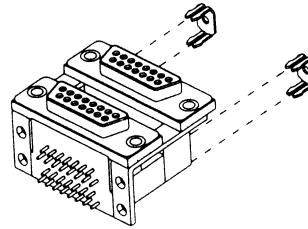
OPTION 1:
FOUR .125 DIAMETER
NON-THREADED
MOUNTING HOLES



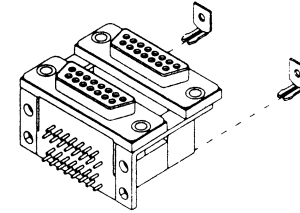
OPTION 2:
FOUR THREADED 4-40
MOUNTING HOLES



OPTION 3:
FOUR GROUNDING
BRACKETS



OPTION 4:
TWO GROUNDING
BRACKETS



Rev		Apv.	Date	SMP TECHNOLOGY, INC.
SCALE	MAT'L	FINISH	MOUNTING OPTIONS	
				SERIES: A 2 5
				Pg: 2