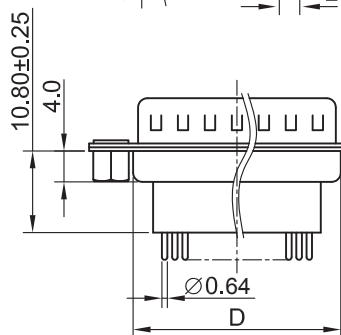


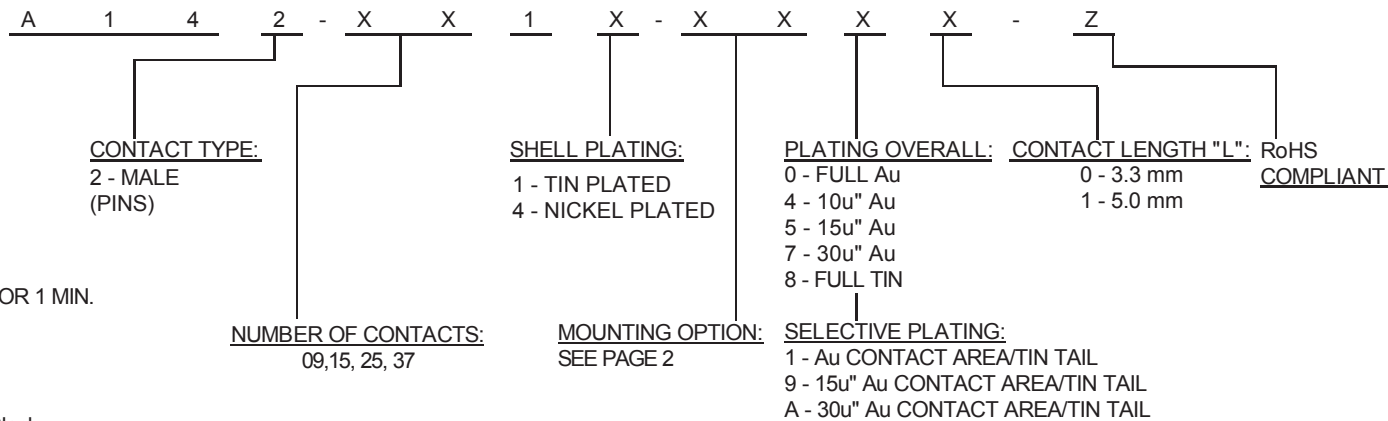
Recommended PCB Layout



NOTE: MOUNTING OPTION "11" SHOWN  
SEE PAGE 2

# of Contacts	A±0.20	B±0.20	C±0.38	D±0.20
09	16.90	25.00	30.80	19.28
15	25.25	33.30	39.20	27.51
25	38.95	47.05	53.05	41.28
37	55.40	63.50	69.40	57.71

HOW TO ORDER:



**ELECTRICAL:**

CURRENT RATING: 5A  
 CONTACT RESISTANCE: < 30m Ω  
 INSULATOR RESISTANCE: > 1000M Ω  
 DIELECTRIC WITHSTANDING VOLTAGE: 1000V AC FOR 1 MIN.  
 OPERATING TEMPERATURE: -55° C TO +105° C

**MATERIAL:**

CONTACT: COPPER ALLOY  
 INSULATOR: PBT & 30% GLASS FIBER (UL94V-0), Black

Rev	Drawn	Checked	Approved	Date	
0	Issued	B.S.	S.M.	S.M.	12/6/06
A	Revised for RoHS Compliance	B.S.	S.M.	S.M.	12/6/06
B	Revised Dimensions	B.S.	S.M.	S.M.	09/16/14

**SMP TECHNOLOGY, INC.**

D-SUB CONNECTOR, MALE, STRAIGHT, PCB MOUNT, HIGH PROFILE, STAMPED

SCALE : N/A

CONTACTS

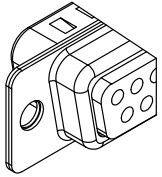
TOL. DEC.    .X +/- 0.35    .XX +/- 0.25    .XXX +/- 0.15    ANGLE +/-    UNIT: mm

SERIES: A142-XX1X-XXXX-Z

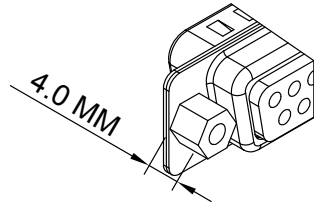
# MOUNTING OPTIONS

## A141 & A142 SERIES

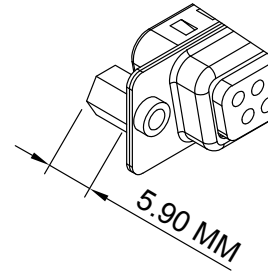
**MOUNTING OPTION 10**  
3.05 MM DIAMETER NON-  
THREADED MOUNTING HOLE



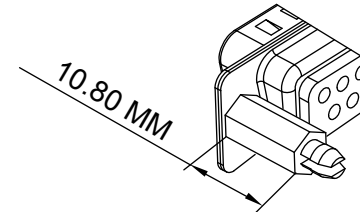
**MOUNTING OPTION 11 :**  
RIVETED 4-40 UNC SCREW LOCK ON  
BACK SIDE OF SHELL



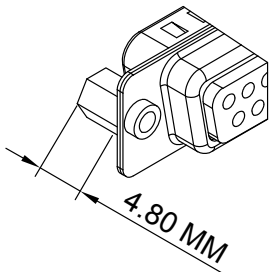
**MOUNTING OPTION 12 :**  
RIVETED 4-40 UNC SCREW LOCK ON  
FRONT SIDE OF SHELL



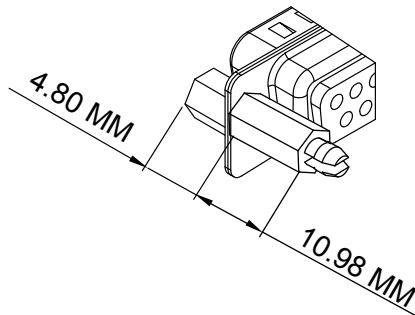
**MOUNTING OPTION 13:**  
RIVETED 10.98 mm 4-40 UNC SCREW  
LOCK ON BACK SIDE OF SHELL



**MOUNTING OPTION 14 :**  
4.8 mm RIVETED 4-40 SCREW LOCK  
ON FRONT SIDE OF SHELL



**MOUNTING OPTION 15 :**  
RIVETED 10.98 mm 4-40 UNC SCREW  
LOCK ON BACK SIDE OF SHELL; 4.80 mm  
UNC SCREWLOCK ATTACHED TO FRONT  
SIDE OF SHELL



**MOUNTING OPTION 18 :**  
RIVETED 10.98 mm 4-40 UNC SCREW  
LOCK ON BACK SIDE OF SHELL; 5.90 mm  
UNC SCREWLOCK ATTACHED TO FRONT  
SIDE OF SHELL

