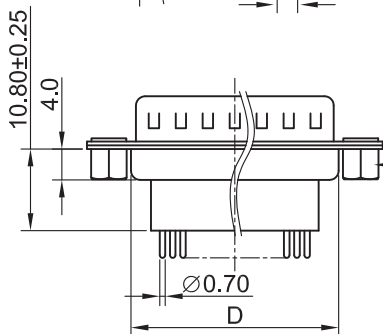


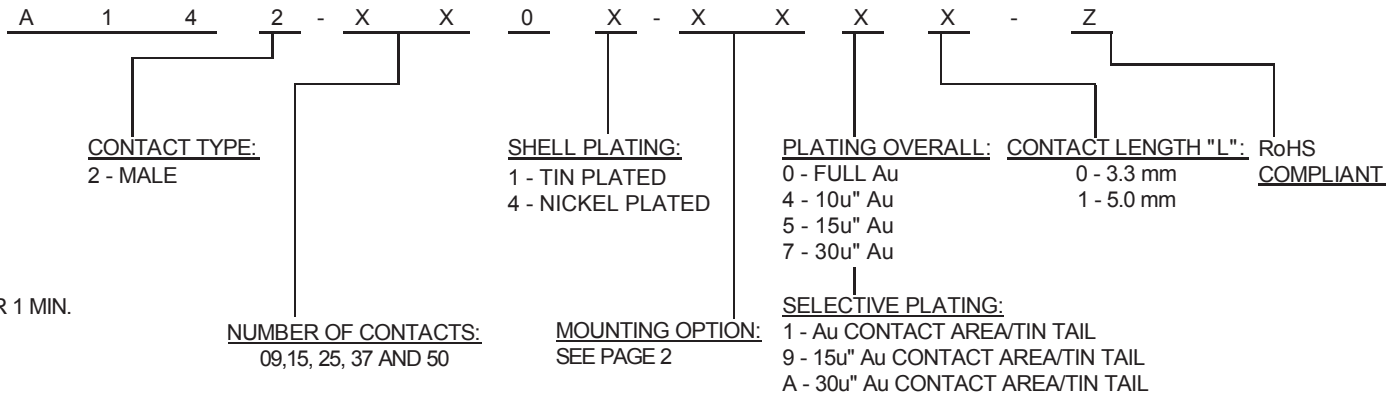
Recommended PCB Layout



NOTE: MOUNTING OPTION "11" SHOWN
SEE PAGE 2

# of Contacts	A±0.20	B±0.20	C±0.38	D±0.20
09	16.90	25.00	30.80	19.28
15	25.25	33.30	39.20	27.51
25	38.95	47.05	53.05	41.28
37	55.40	63.50	69.40	57.71

HOW TO ORDER:



ELECTRICAL:

CURRENT RATING: 5A
 CONTACT RESISTANCE: < 30m Ω
 INSULATOR RESISTANCE: > 1000M Ω
 DIELECTRIC WITHSTANDING VOLTAGE: 500V AC FOR 1 MIN.
 OPERATING TEMPERATURE: -55° C TO +105° C

MATERIAL:

CONTACT: COPPER ALLOY
 INSULATOR: PBT & 30% GLASS FIBER (UL94V-0), Black

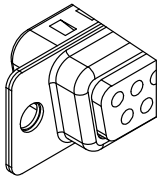
Rev		Drawn	Checked	Approved	Date		
0	Issued	S.E.	S.M.	S.M.	10/1/97	SMP TECHNOLOGY, INC.	
A	Revised for RoHS Compliance	B.S.	S.M.	S.M.	11/29/06	D-SUB CONNECTOR, MALE, STRAIGHT, PCB MOUNT, HIGH PROFILE, MACHINE	
B	Revised Dimensions	B.S.	S.M.	S.M.	09/16/14	CONTACTS	
SCALE : N/A						SERIES: A142-XX0X-XXXX-Z	
TOL. DEC. .X +/- 0.35 .XX +/- 0.25 .XXX +/- 0.15 ANGLE +/- UNIT: mm						Pg: 1	

MOUNTING OPTIONS

A141 & A142 SERIES

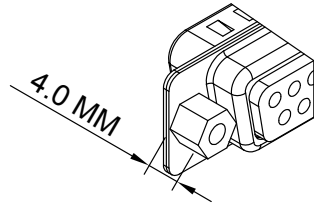
MOUNTING OPTION 10

3.05 MM DIAMETER NON-THREADED MOUNTING HOLE



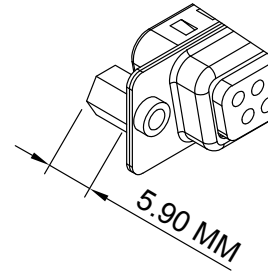
MOUNTING OPTION 11 :

RIVETED 4-40 UNC SCREW LOCK ON BACK SIDE OF SHELL



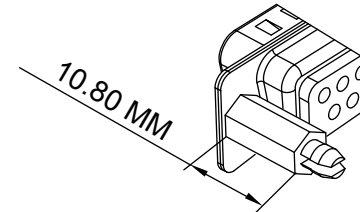
MOUNTING OPTION 12 :

RIVETED 4-40 UNC SCREW LOCK ON FRONT SIDE OF SHELL



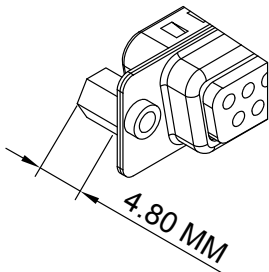
MOUNTING OPTION 13:

RIVETED 10.98 mm 4-40 UNC SCREW LOCK ON BACK SIDE OF SHELL



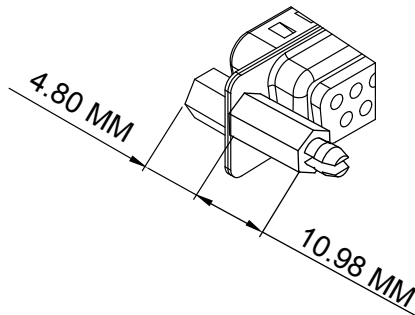
MOUNTING OPTION 14 :

4.8 mm RIVETED 4-40 SCREW LOCK ON FRONT SIDE OF SHELL



MOUNTING OPTION 15 :

RIVETED 10.98 mm 4-40 UNC SCREW LOCK ON BACK SIDE OF SHELL; 4.80 mm UNC SCREWLOCK ATTACHED TO FRONT SIDE OF SHELL



MOUNTING OPTION 18 :

RIVETED 10.98 mm 4-40 UNC SCREW LOCK ON BACK SIDE OF SHELL; 5.90 mm UNC SCREWLOCK ATTACHED TO FRONT SIDE OF SHELL

