

ELECTRICAL:

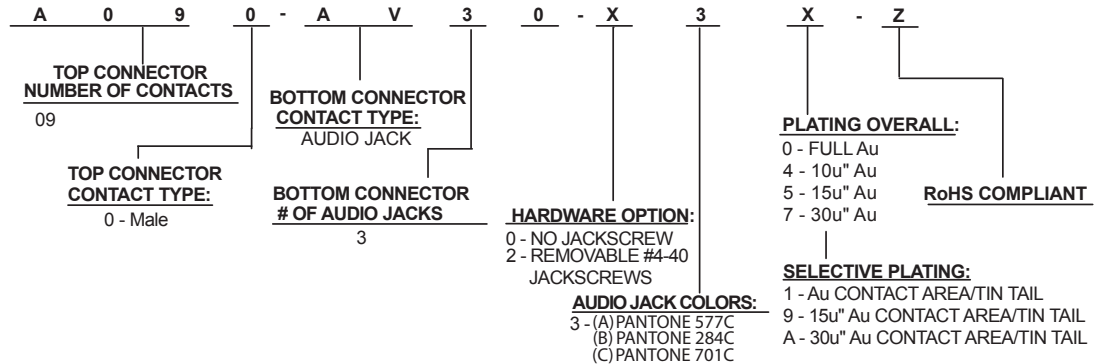
CURRENT: 3 Amp
 INSULATOR RESISTANCE: 5000MΩ Mtv.
 CONTACT RESISTANCE: 25mΩ Max
 DIELECTRIC WITHSTANDING VOLTAGE: 100VAC FOR 1 MIN.
 OPERATING TEMPERATURE: -55° C TO +105° C

MATERIAL:

INSULATOR: PBT (UL94V-0)
 CONTACT: COPPER ALLOY
 CONTACT PLATING: OPTIONAL GOLD ALL OVER NICKEL
 SHELL PLATING : NICKEL

MECHANICAL:

MATING FORCE: 5,1 KG. Max (D Sub)
 UNMATING FORCE: .32 Kg Max (D Sub)
 MATING FORCE :2.5 KG Max (Audio Jack)
 UNMATING FORCE: .30 KG Max. (Audio Jack)



Rev	Drawn	Checked	Approved	Date
0 Issued	A.M.	S.M.	S.M.	11/19/04
A Revised for RoHS Complianace	A.M.	S.M.	S.M.	09/27/05

SMP TECHNOLOGY, INC.	
D-Sub/ Audio Connector Combo; 9 Pos.Male over 3 Audio Jacks	
PC 99 Colors (577C,284C,701C)	

SCALE:n/a

TOL. DEC. .X +/- 0.35 .XX +/- 0.25 .XXX +/- ANGLE +/- UNIT: mm

P/N: A090-AV30-X3X-Z

Pg: 1