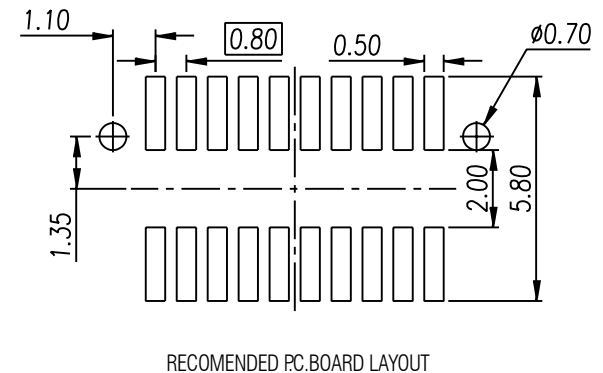
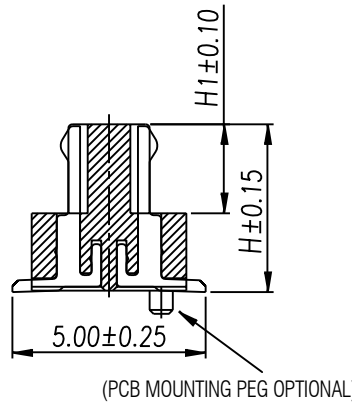


DISTANCE BETWEEN PCB'S (STACKING HEIGHT)	H	H1
4.00H	2.80	1.80
4.50H	3.30	1.80
5.00H	3.80	1.80
5.50H	4.30	2.30
6.00H	4.80	2.30
6.50H	5.30	2.30
7.00H		



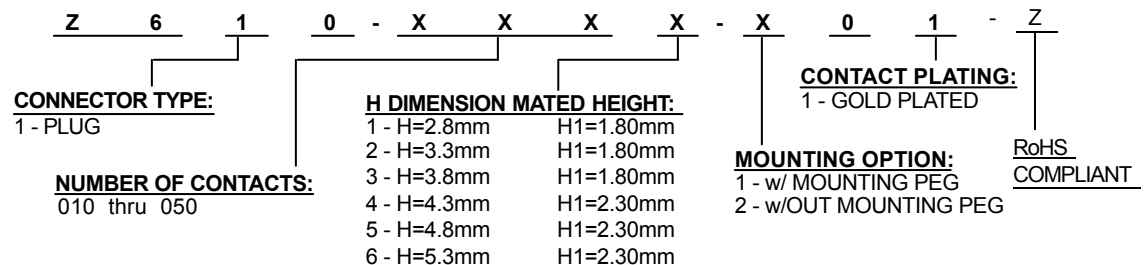
ELECTRICAL:

CURRENT RATING: 0.5A
 CONTACT RESISTANCE: < 20mΩ
 INSULATION RESISTANCE: 1000MΩ
 DIELECTRIC WITHSTANDING VOLTAGE: 300V AC/DC
 OPERATING TEMPERATURE: -40°C to +105°C

MATERIAL:

CONTACT: Phosphor Bronze
 INSULATOR: Polyester (UL94V-0) Nylon-9T

HOW TO ORDER:



Rev	Drawn	Checked	Approved	Date
0	A.M.	S.M.	S.M.	04/23/09
A	B.S.	S.M.	S.M.	07/01/07

SMP TECHNOLOGY, INC.

BOARD TO BOARD PLUG 0.80mm Pitch

TOL. DEC. .X +/- 0.35 .XX +/- 0.2 .XXX +/- ANGLE +/- 5° UNIT: mm

P/N: Z610-XXXX-X01-Z