

TYPE 07

DIMENSION(mm)

DIMENSION NO.	A	B	C
1	7.45	3.45	5.50
2	9.40	5.40	5.50
3	9.50	5.50	5.50
4	11.80	7.80	5.50
5	14.50	10.50	5.50
6	16.20	12.20	5.50
7	17.00	13.00	5.50
8	17.45	13.45	5.50
9	18.90	14.90	5.50

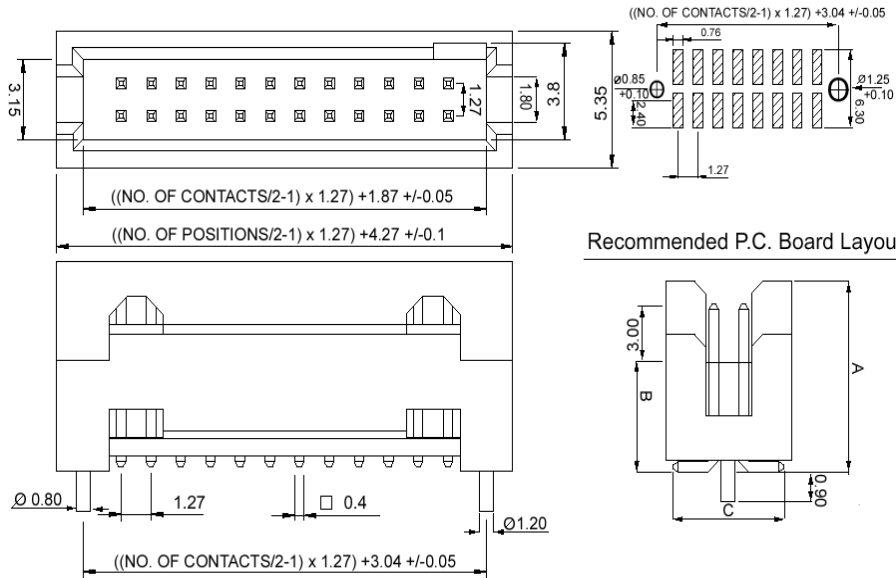
ELECTRICAL:

CURRENT RATING: 1A
 CONTACT RESISTANCE: < 30m Ω
 INSULATION RESISTANCE: 5000M Ω
 DIELECTRIC WITHSTANDING VOLTAGE: 600VAC For 1 Min.
 OPERATING TEMPERATURE: -55°C to +105°C

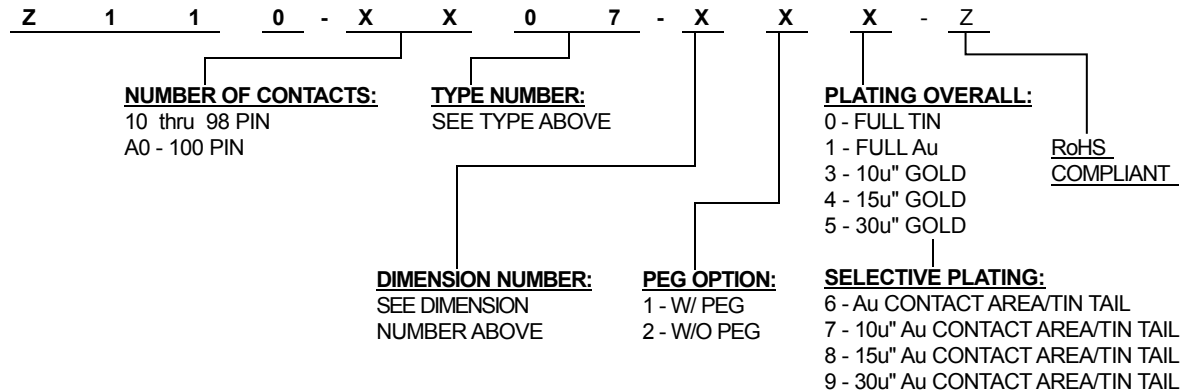
MATERIAL:

CONTACT: Copper Alloys
 INSULATOR: High Temperature Thermoplastic (UL94V-0)

* MATES WITH Z10 SERIES TYPES 01, 02



HOW TO ORDER:



Rev	Drawn	Checked	Approved	Date
0	S.E.	S.M.	S.M.	4/1/98
A	B.S.	S.M.	S.M.	7/09/08

SMP TECHNOLOGY, INC.

SMT BOX HEADER, 1.27mm Pitch, SINGLE POLARIZATION, w/BASE

TOL. DEC. .X +/- 0.35 .XX +/- 0.25 .XXX +/- 0.15 ANGLE +/- UNIT: mm

SERIES: Z11