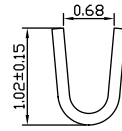
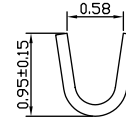


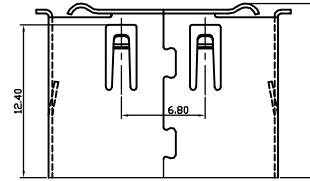
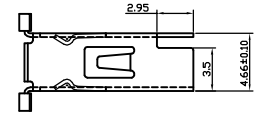
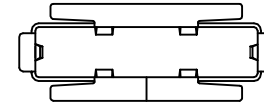
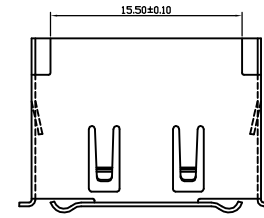
Detail "A"



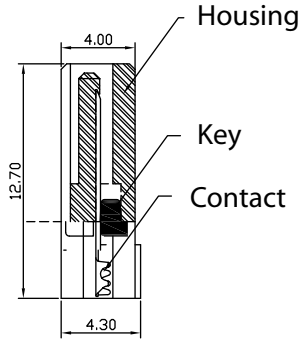
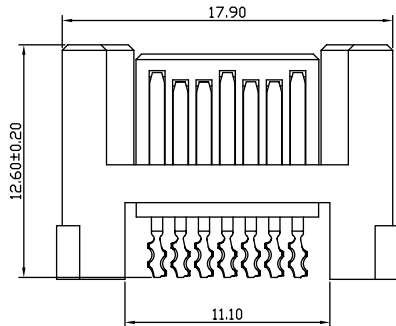
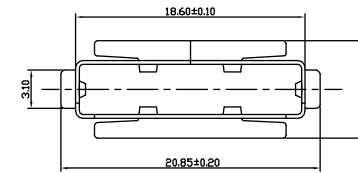
Detail "B"



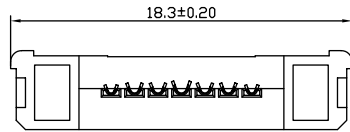
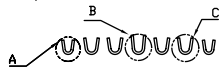
Detail "C"



Shell



Assembly with Contacts



ELETRICAL:

CURRENT RATING: 1.5 A
 VOLTAGE RATING: 12 VAC max.
 CONTACT RESISTANCE: 30 mW max.
 DIELECTRIC WITHSTANDING VOLTAGE: 500 VAC for 1 min (sea level)
 INSULATION RESISTANCE: 1000 MW min.

MATERIAL:

INSULATOR: Thermoplastic - 30% Glass Fiber Reinforced UL94 V-0
 CONTACTS: Copper Alloy
 CONTACT PLATING: Selective Gold Plated (5 Microinches) on Contact Area Over 50 m" Min. NI Under Plated
 100m" Min. Tin Plating on Solder Tails

HOW TO ORDER:

W 3 0 1 - 0 7 3 3 - 2 4 1 1 - Z

**RoHS
COMPLIANT**

Rev	Drawn	Checked	Approved	Date
0	B.S.	S.M.	S.M.	3/14/08

SMP TECHNOLOGY, INC.

External SATA, 7 Position Male Plug Assembly for Cable

SCALE

TOL. DEC. .X +/- 0.38 .XX +/- 0.25 .XXX +/- 0.13 ANGLE +/- 3° UNIT: mm

P/N: W301-0733-2411-Z

Pg: 1