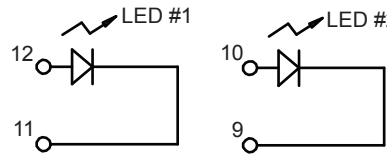
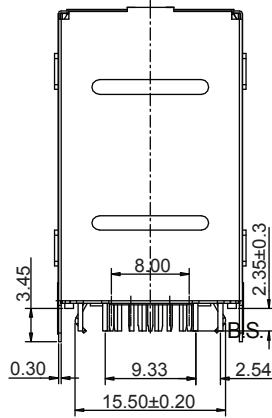
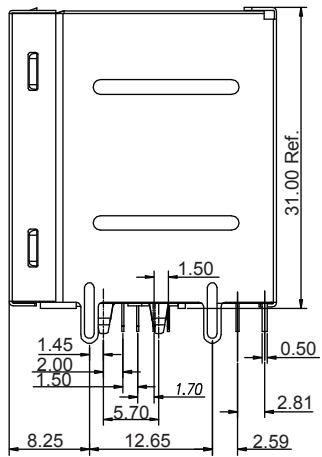
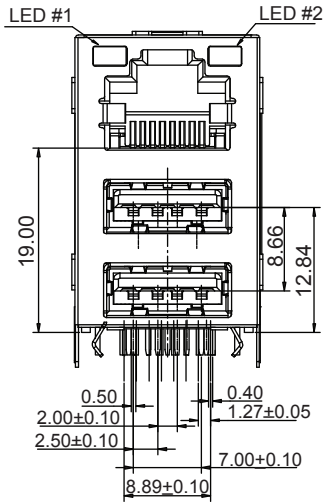


**USB SPECIFICATION:**

**ELECTRICAL CHARACTERISTICS:**  
 CONTACT CURRENT RATING: 1.5 AMP  
 CONTACT RESISTANCE: 30 mOHMS MAX.  
 DIELECTRIC WITHSTANDING VOLTAGE: 500 VAC RMS 60HZ, 1  
 INSULATION RESISTANCE: 1000 MOHMS MIN @ 500 VDC.  
**MECHANICAL CHARACTERISTICS:**  
 CONTACT MATING FORCE: 34.3N (3.5kg) MAX.  
 CONNECTOR UNMATING FORCE: 9.8N (1.0kg) MIN.  
 DURABILITY: 1500 CYCLES.  
 OPERATING TEMPERATURE: 0° C TO + 70° C

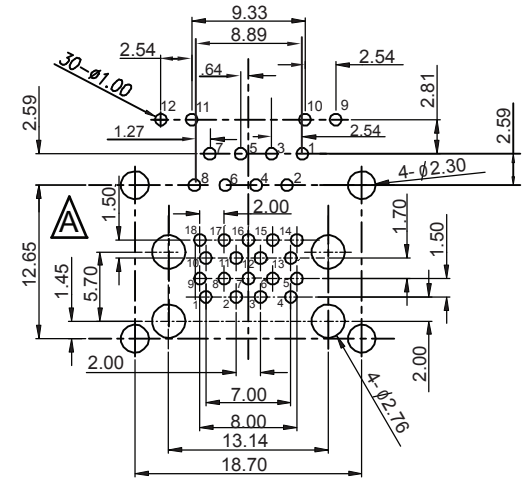
**RJ45 SPECIFICATION:**

**ELECTRICAL CHARACTERISTICS:**  
 CURRENT RATING: 1.5 AMPS MAX.  
 VOLTAGE RATING: 125VAC MAX.  
 INSULATION RESISTANCE: 500VAC MEGAHOMS MINIMUM @ 500VDC.  
 DIELECTRIC STRENGTH: 500VAC RMS 60Hz, 1 MIN.  
**MECHANICAL CHARACTERISTICS:**  
 MATING / UNMATING FORCES: 5 LBS. MAX.  
 DURABILITY (MATING/UNMATING CYCLES): 1000 CYCLES  
 OPERATING TEMPERATURE: 0° C TO + 70° C  
 STORAGE TEMPERATURE: -40° C TO + 85° C  
 CONNECTOR TO PCB INSERTION FORCE: < 8 LBS.



**LED OPTION TABLE:**

OPTION	FORWARD	REVERSE
G	GREEN	----
Y	YELLOW	----



RECOMMENDED PCB LAYOUT COMPONENT SIDE

**HOW TO ORDER:**

U A 0 0 - 0 1 4 0 - X X X Z

LED 1: LED 2:  
 CHOOSE OPTION FROM TABLE

**MATERIAL:**

INSULATOR: Thermoplastic (UL-94V-0)  
 CONTACT: Thickness Phosphor Bronze  
 CONTACT PLATING: Nickel Underplate and Selective Gold in Mating Area

**MECHANICAL:**

DURABILITY: 750 Mating Cycles Min.  
 MATING/UNMATING FORCE: 5 LBS MAXIMUM.  
 DURABILITY (MATING/UNMATING CYCLES): 1000 CYCLES  
 OPERATING TEMPERATURE: 0°C TO +70°C.  
 STORAGE TEMPERATURE: -40°C TO +85°C  
 CONNECTOR TO PCB INSERTION FORCE: < 8 LBS.

**SELECTIVE PLATING:**

6 - Au CONTACT AREA/TIN TAIL  
 7 - 15u" Au CONTACT AREA/TIN TAIL  
 8 - 30u" Au CONTACT AREA/TIN TAIL  
 9 - 50u" Au CONTACT AREA/TIN TAIL

RoHS COMPLIANT

Rev	Issued	Drawn	Checked	Approved	Date
0	Issued	B.S.	S.M.	S.M.	06/18/14
A	Revised USB Pin Numbering	B.S.	S.M.	S.M.	02/01/16

**SMP TECHNOLOGY, INC.**

RJ45 / (2) USB 3.0, , With LED, Shielded