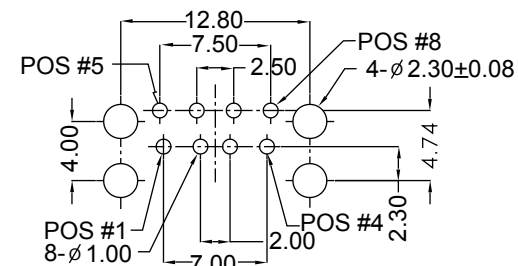
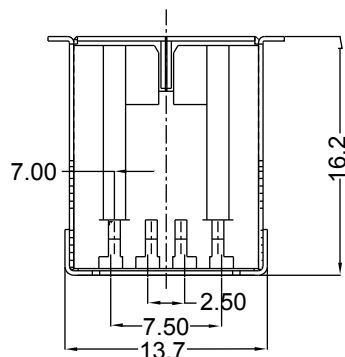


ISOMETRIC VIEW



RECOMMENDED PCB LAYOUT

ELECTRICAL:

CURRENT RATING: 1.5 A USB A; 3.0 A Powered USB

CONTACT RESISTANCE:

< 40 Milliohm Max.

INSULATION RESISTANCE:

> 1000 Mgeaohm Min.

DIELECTRIC WITHSTANDING VOLTAGE:

750V (rms) AC for 1 Minute

OPERATING TEMPERATURE: -20° C to +85° C

MATERIAL:

INSULATOR: Nylon 46 UL94V-0 - See Colors

CONTACTS: Phosphor Bronze

CONTACT PLATING:

Gold Plating over 50u" Nickel on Contact Area,

Tin Plating on Terminal

SHELL: Brass

SHELL PLATING: Nickel

HOW TO ORDER:

U 1 0 1 - 0 8 0 X - 3 3 X - Z

INSULATOR COLOR:

3 - Green (12 Volt)

4 - Black (5 Volt)

8 - Red (24 Volt)

RoHS
COMPLIANT

SELECTIVE CONTACT PLATING:

- 1 - Gold
- 3 - 15u" Gold
- 4 - 30u" Gold

Rev	Drawn	Checked	Approved	Date
0	B.S.	S.M.	S.M.	02/08/17

SMP TECHNOLOGY, INC.

Powered USB Connector; 5, 12 and 24 Volt

DRAWING No. HA-1

TOL. DEC. .X +/- 0.35 .XX +/- 0.25 .XXX +/- ANGLE +/- UNIT: mm

SERIES: U101-080X-33X-Z