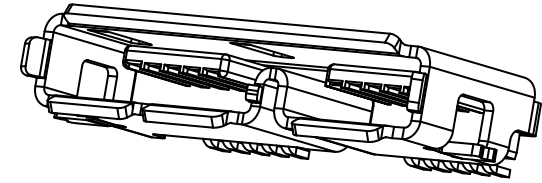
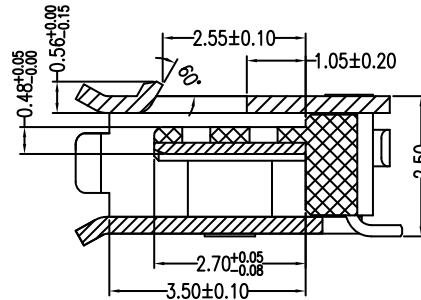
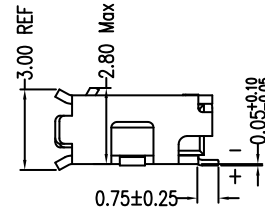
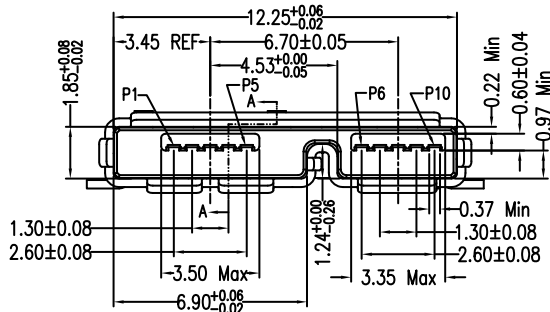


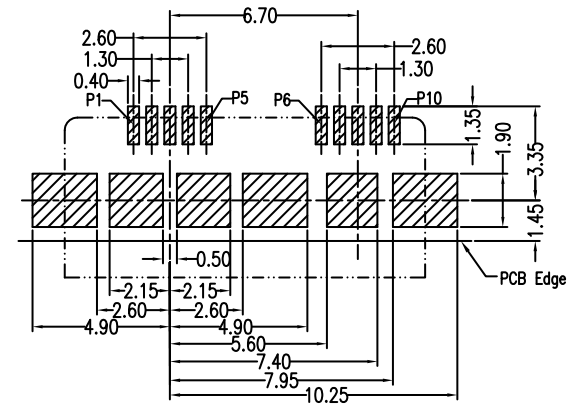
Pin Number	Signal Name
1	VBUS
2	D-
3	D+
4	ID
5	GND
6	MicB_SSTX-
7	MicB_SSTX+
8	GND_DRAIN
9	MicB_SSRX-
10	MicB_SSRX+



ISOMETRIC VIEW



SECTION A-A



RECOMMENDED PCB LAYOUT

ELECTRICAL:

CURRENT RATING: 1.8 AMP for Pin # 1 & 5; All others .25 A
 DIELECTRIC STRENGTH: 100V AC; 1 Minute
 INSULATION RESISTANCE: 100 MΩ Min.
 CONTACT RESISTANCE: 30 mΩ Max.

MATERIALS:

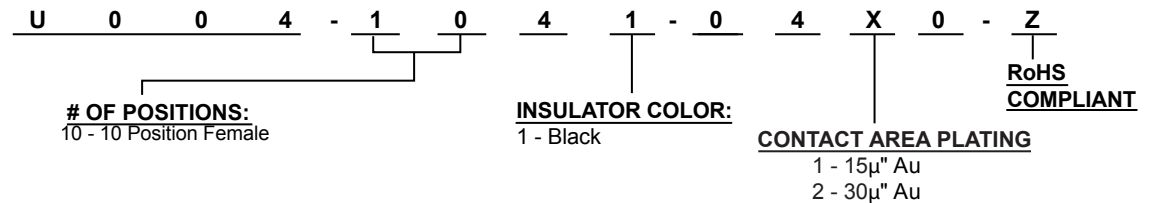
HOUSING: LCP/50% Glass Fill; UL 94 V-0; Black
 CONTACT: Phos-Bronze; Au plated Contact Area; Au flash plating on solder area; 50 u" Nickel Subplate
 SHELL: Stainless Steel; 40 u" Nickel Plated

MECHANICAL:

INSERTION FORCE: 35 N. Max
 WITHDRAWL FORCE: 8 N Min.
 DURABILITY: 10,000 Cycles Min.

OPERATING TEMPERATURE RANGE: -55C to 85 C

HOW TO ORDER:



Rev	Drawn	Checked	Approved	Date
0 Issued	B.S.	S.M.	S.M.	08/17/12

SMP TECHNOLOGY, INC.

Micro USB, 10 Position, Receptacle, Surface Mount,
 USB 3.0, Right Angle, Type AB

SCALE: N/A

Tolerance :	.X +/- 0.38	.XX +/- 0.25	.XXX +/- 0.13	ANGLE +/- 3°
-------------	-------------	--------------	---------------	--------------

SERIES: U004-1041-04X0-Z