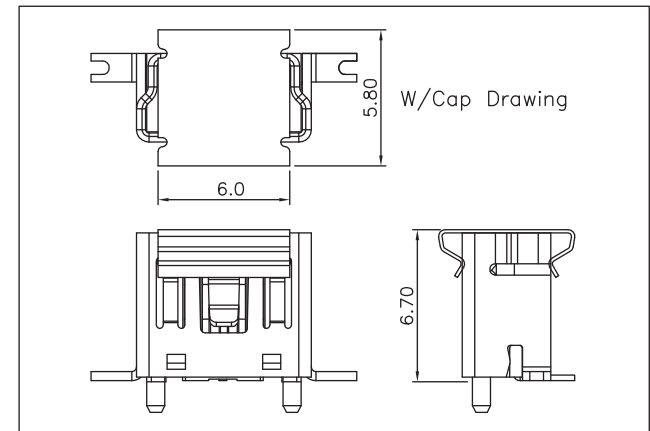


Recommended PCB Layout

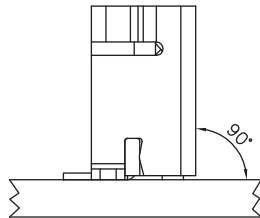


**ELECTRICAL:**

CURRENT RATING: 1.5A  
 CONTACT RESISTANCE:  
 < 20 Milliohm Max.  
 INSULATION RESISTANCE:  
 > 1000 Mgeaohm Min.  
 DIELECTRIC WITHSTANDING VOLTAGE:  
 500V (rms) AC for 1 Minute  
 OPERATING TEMPERATURE: -40° C to +85° C  
 VOLTAGE RATING: 250V AC/DC

**MATERIAL:**

INSULATOR: Polyester UL94V-0 (LCP)  
 CONTACTS: Phosphor Bronze  
 CONTACT PLATING: Selective Gold Plating  
 SHELL: Brass  
 SHELL PLATING: Nickel  
 MAX. PROCESSING: 230° for 30 ~ 60 Seconds  
 260° for 10 Seconds



**HOW TO ORDER:**

**U 0 0 3 - 0 5 8 0 - 2 3 X - Z X**

**CIRCUIT SIZES**

05 - 5 Position Female - Surface Mount

**INSULATOR COLOR**

0 - Black

**BODY STYLE**

8 - 6.9 x6.5(H)  
 Footprint, Type I

**MOUNTING STYLE**

3 - With Mounting  
 Peg (6.0 between pegs)

**RoHS  
 COMPLIANT**

**SELECTIVE  
 CONTACT PLATING**

2 - Gold Flash  
 3 - 15u" Gold  
 4 - 30u" Gold

**PACKAGING**  
 Blank - T/R w/Cap  
 2 - Tube w/out Cap

Rev	Drawn	Checked	Approved	Date
0	B.S.	S.M.	S.M.	4/18/07
A	B.S.	S.M.	S.M.	03/31/11
B	B.S.	S.M.	S.M.	03/31/11

**SMP TECHNOLOGY, INC.**

Mini USB, 5 Position, Top Entry, Surface Mount