

(COMPONENT SIDE)  
PCB LAYOUT

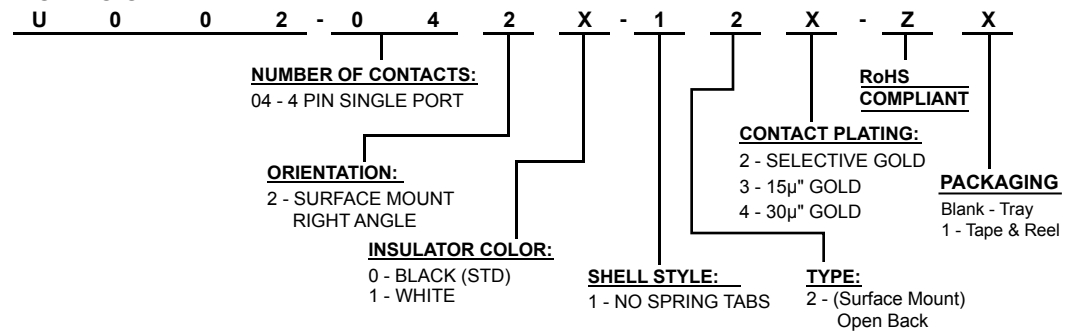
**ELECTRICAL:**  
 CURRENT RATING: 1.5A  
 CONTACT RESISTANCE:  
 < 30 Milliohm Max.  
 INSULATION RESISTANCE:  
 > 1000 Megaohm Min. at 500DC  
 DIELECTRIC WITHSTANDING VOLTAGE:  
 500V (rms) AC for 1 Minute  
 OPERATING TEMPERATURE: -50°C to +105°C

**MATERIAL:**  
 INSULATOR: Polyester, UL94V-0  
 CONTACTS: Phosphor Bronze  
 CONTACT PLATING: Gold Plating over Nickel on Contact Area,  
 Tin Plating on PCB Tail

SHELL: Phosphor Bronze  
 SHELL PLATING: Nickel 80-120µ"

**MECHANICAL**  
 MAX PROCESS TEMP: 230°C for 30~60 Seconds  
 260°C for 10 Seconds

**HOW TO ORDER:**



Rev	Description	Drawn	Checked	Approved	Date
0	Issued	S.E.	S.M.	S.M.	10/1/97
A	Revised	D.H.	S.M.	S.M.	7/20/04
B	Revised for RoHS Compliance	WHS	S.M.	S.M.	6/08/06
C	Revised Type - Open Back	B.S.	S.M.	S.M.	11/18/10

**SMP TECHNOLOGY, INC.**

USB Connector 4 Pin, B Type, SMT, Right Angle

TOL. DEC. .X +/- 0.25 .XX +/- 0.15 .XXX +/- 0.075 ANGLE +/- UNIT: mm

SERIES: U002-042X-12X-ZX