

RECOMMENDED PCB LAYOUT

ELECTRICAL:

CURRENT RATING: 1.5A

CONTACT RESISTANCE:
< 30 Milliohm Max.

INSULATION RESISTANCE:
> 1000 Megaohm Min. at 500DC

DIELECTRIC WITHSTANDING VOLTAGE:
500V (rms) AC for 1 Minute

OPERATING TEMPERATURE: -20°C to +60°C

MATERIAL:

INSULATOR: Nylon 9T

CONTACTS: Phosphor Bronze

CONTACT PLATING: Gold Plating over Nickel on Contact Area,
Tin Plating on PCB Tail

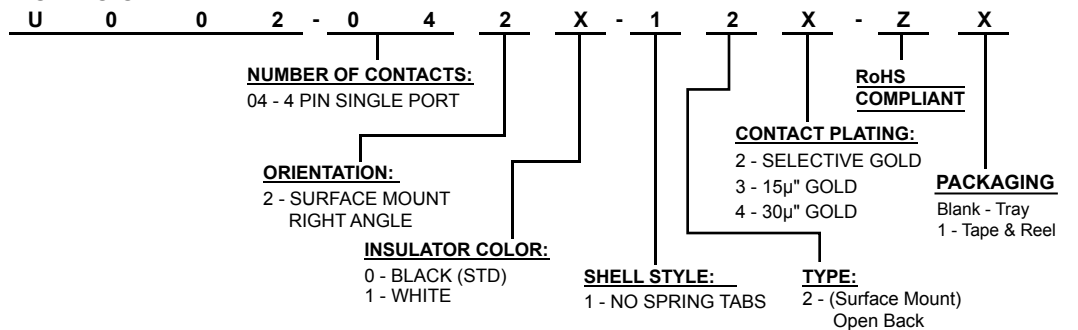
SHELL: Phosphor Bronze

SHELL PLATING: Nickel 80-120µ"

MECHANICAL

MAX PROCESS TEMP: 230°C for 30~60 Seconds
260°C for 10 Seconds

HOW TO ORDER:



Rev	Description	Drawn	Checked	Approved	Date
0	Issued	S.E.	S.M.	S.M.	10/1/97
A	Revised	D.H.	S.M.	S.M.	7/20/04
B	Revised for RoHS Compliance	WHS	S.M.	S.M.	6/08/06
C	Revised Type - Open Back	B.S.	S.M.	S.M.	11/18/10

SMP TECHNOLOGY, INC.

USB Connector 4 Pin, B Type, SMT, Right Angle

TOL. DEC. .X +/- 0.25 .XX +/- 0.15 .XXX +/- 0.075 ANGLE +/- UNIT: mm

SERIES: U002-042X-12X-ZX

Pg: 1