

Recommended P.C. Board Layout

ELECTRICAL:

CURRENT RATING: 1A

CONTACT RESISTANCE:

< 30 Milliohm Max.

INSULATION RESISTANCE:

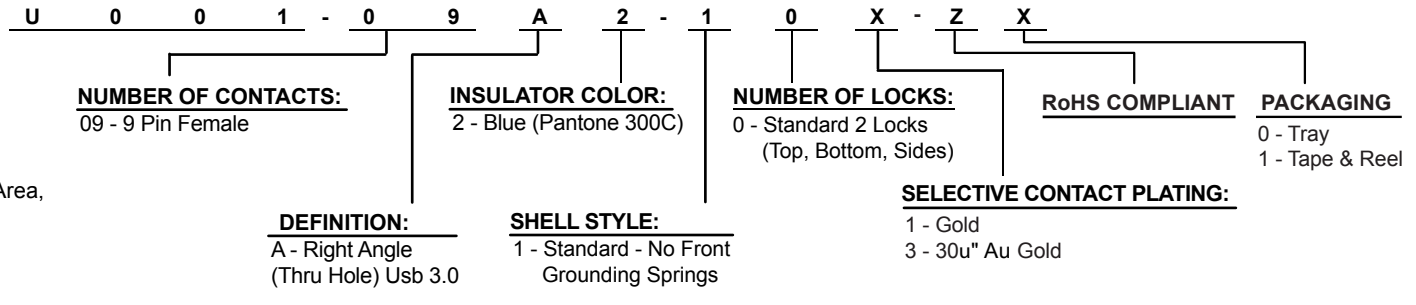
> 1000 Mgeaohm Min.

DIELECTRIC WITHSTANDING VOLTAGE:

500V (rms) AC for 1 Minute

OPERATING TEMPERATURE: -25° C to +85° C

HOW TO ORDER:



MATERIAL:

INSULATOR: Thermoplastic UL94HB (NY-9T)

Blue (Pantone 300C)

CONTACTS: Phosphor Bronze

CONTACT PLATING:

Selective Gold Plating over Nickel on Contact Area,

Tin Plating on Terminal

SHELL: Copper Alloy

SHELL PLATING: Nickel

PACKAGING: Reel

Rev	Drawn	Checked	Approved	Date
0	B.S.	S.M.	S.M.	09/10/09

SMP TECHNOLOGY, INC.

USB 3.0 Connector, A Type, Female, 9 Position, Blue Insulator