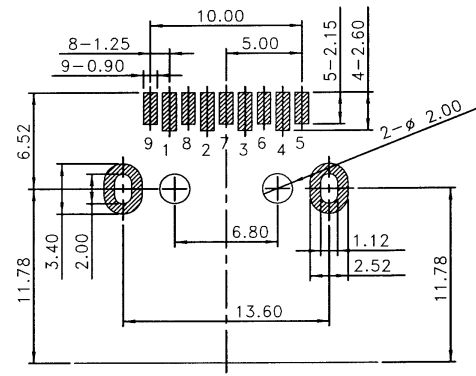
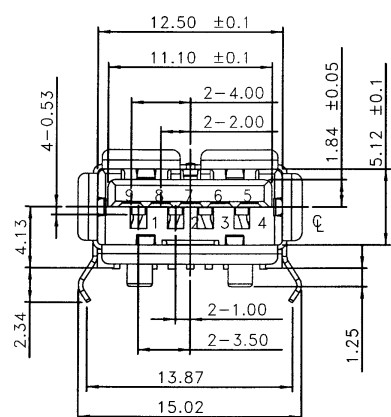


Isometric View



Recommended P.C. Board Layout

ELECTRICAL:

CURRENT RATING: 1.8 Amps (Max)
 Applied to V bus pin and corresponding ground pin;
 .25 Amp (Min) For All Remaining Contacts
 CONTACT RESISTANCE:

30 milliohm Max (initial) for V bus and
 ground contacts. 50 milli ohms all other contacts.

INSULATION RESISTANCE:

100 Megaohm min @ 250 VDC

DIELECTRIC WITHSTANDING VOLTAGE:

500V (rms) AC for 1 Minute

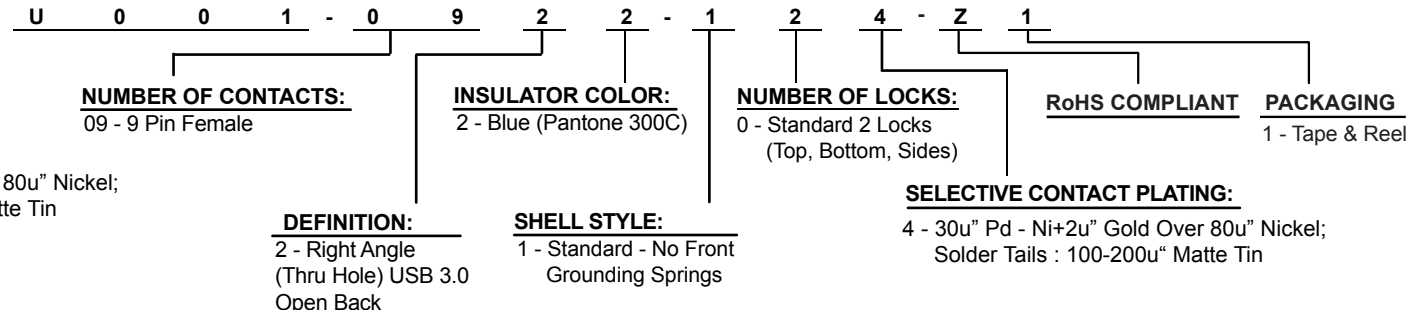
OPERATING TEMPERATURE: -25° C to +85° C

MATERIAL:

INSULATOR: Thermoplastic UL94HB (NY-9T)
 Blue (Pantone 300C)
 CONTACTS: Copper Alloy
 CONTACT PLATING: 30u" Pd - Ni+2u" Gold Over 80u" Nickel;
 Solder Tails : 100-200u" Matte Tin

SHELL: Copper Alloy
 SHELL PLATING: SPCC Nickel
 PACKAGING: Tape & Reel

HOW TO ORDER:



Rev	Drawn	Checked	Approved	Date
0	Issued	B.S.	S.M.	S.M.

SMP TECHNOLOGY, INC.

USB 3.0 Connector, A Type, Female, 9 Position, Surface Mount,
 Open Back, Kinked PCB Retention Tails