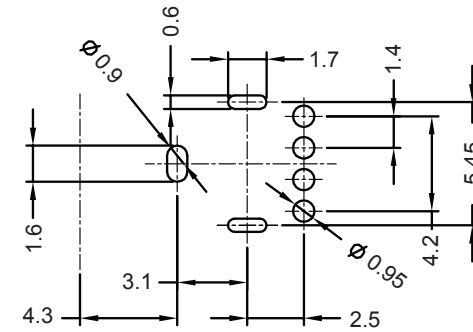
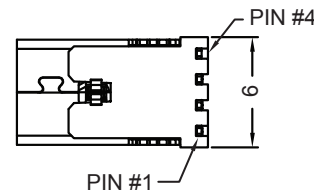
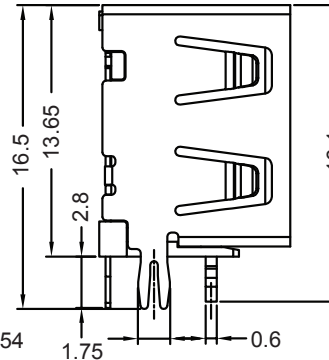
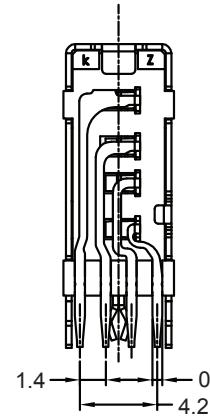
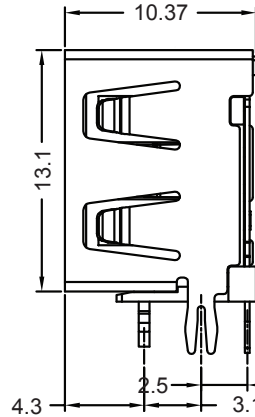
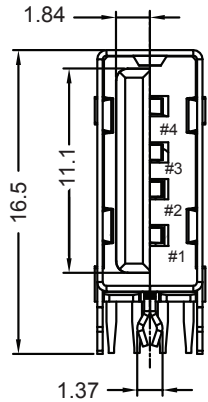


Isometric View



Recommended PCB Layout

ELECTRICAL:

CURRENT RATING: 1.5A
 CONTACT RESISTANCE:
 < 30m milli ohms Max
 INSULATOR RESISTANCE:
 > 1000 Megaohms Min.
 DIELECTRIC WITHSTANDING VOLTAGE:
 500V AC for 1 Minute
 OPERATING TEMPERATURE: -55° C to +105° C

MATERIAL:

INSULATOR: Thermoplastic UL94V-0
 CONTACTS: Copper Alloy
 SHELL PLATING: Copper Alloy
 CONTACT PLATING: Specified Gold thickness over 50u" Nickel in contact area;
 100u" Tin over 50u" Nickel in solder tail area

HOW TO ORDER:

U 0 0 1 - 0 4 P X - 1 3 X 0 - Z X

NUMBER OF CONTACTS:
 04 - 4 PIN SINGLE PORT

INSULATOR COLOR:
 0 - BLACK
 1 - WHITE

of LOCKS
 3 - 5 Locks

RoHS Compliant

PACKAGING:
 Blank - Tray
 1 - Tape & Reel
 2 - Tube

SELECTIVE CONTACT PLATING:
 1 - Gold Flash
 3 - 15u" Gold
 3 - 30u" Gold

Rev	Drawn	Checked	Approved	Date
0	B.S.	S.M.	S.M.	10/05/14

SMP TECHNOLOGY, INC.

USB Connector, Type B, Short Body, Upright, 11.0mm Length,

No Mating Edge Curl

TOL. DEC. .X +/- 0.25 .XX +/- 0.20 .XXX +/- 0.15 ANGLE +/- UNIT: mm

P/N: U001-04PX-13X0-ZX