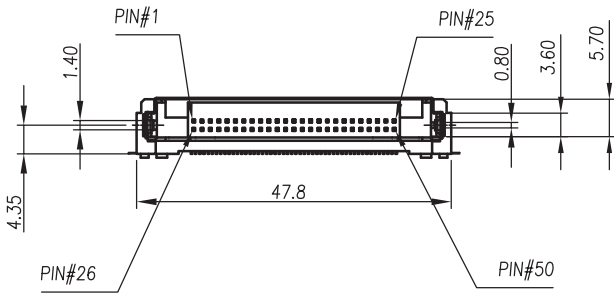
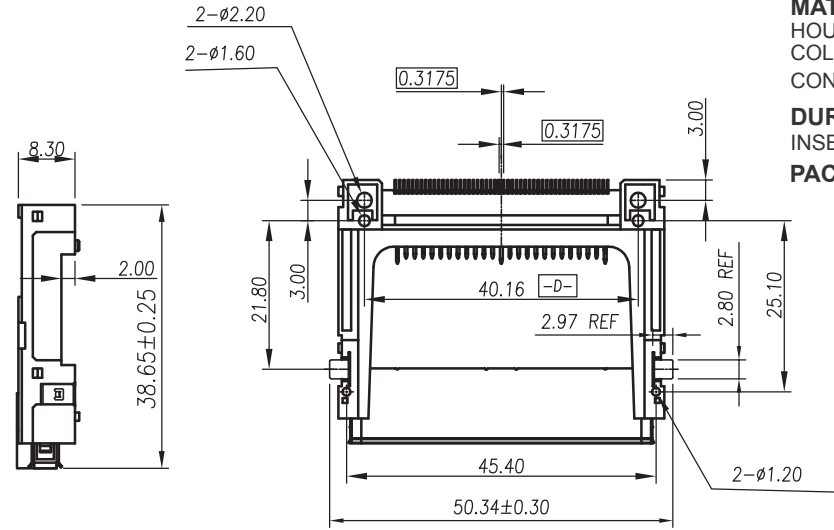
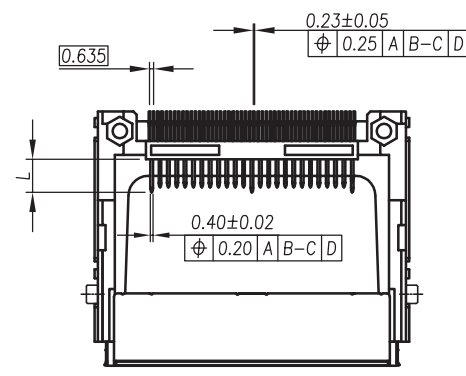


ELECTRICAL:
 CURRENT RATING: 0.5A
 VOLTAGE RATING: 100V AC
 CONTACT RESISTANCE: 40 mΩ Max.
 INSULATOR RESISTANCE: 1 000 MΩ Min.
 DIELECTRIC WITHSTANDING VOLTAGE: 500V AC for 1 Min.
 OPERATING TEMPERATURE: -40°C to +85°C

MATERIAL:
 HOUSING: High Temperature Plastic, UL94V-0
 COLOR: Ivory
 CONTACT: Copper Alloy

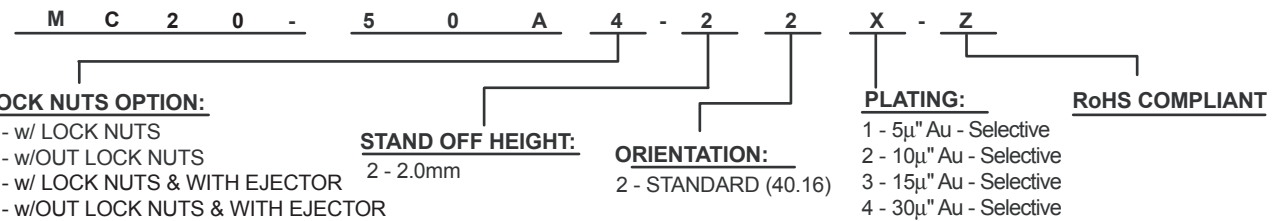
DURABILITY:
 INSERTION CYCLES: 10000 Cycles

PACKAGING: Tray

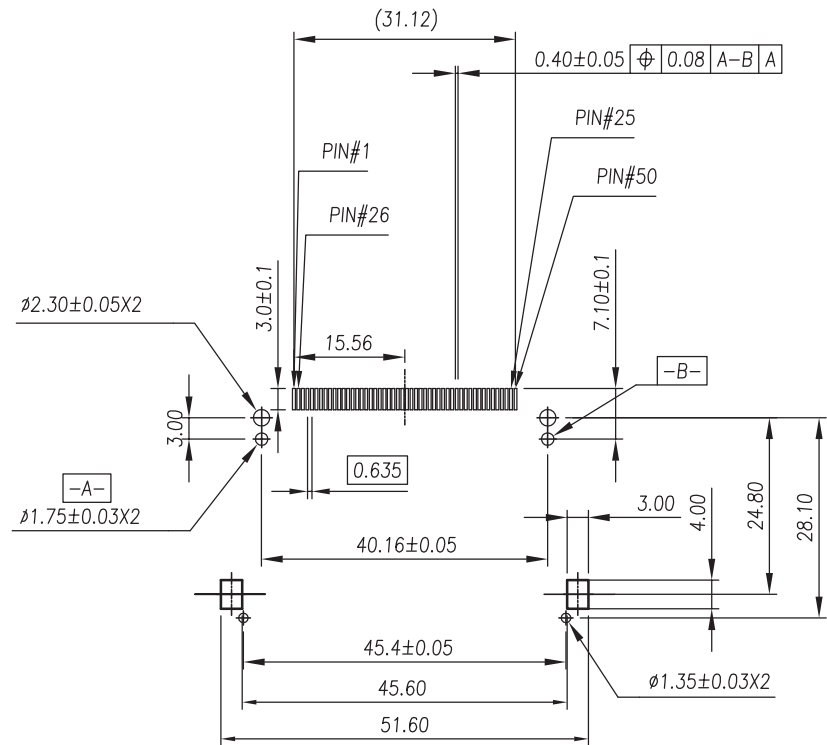


PIN NUMBER	DIM. L±0.10
1,13,38,50	5.00 mm
ALL OTHER PINS	4.25 mm
25,26	3.50 mm

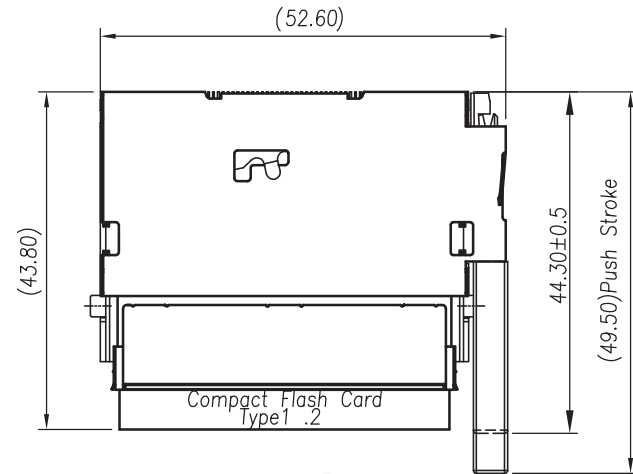
HOW TO ORDER:



Rev	Drawn	Checked	Approved	Date		
0	G.T.	S.M.	S.M.	12/20/05	SMP TECHNOLOGY, INC.	
A	G.T.	S.M.	S.M.	01/15/06		
B	B.S.	S.M.	S.M.	6/6/07		
SCALE: n/a					Compact Flash Memory Card Connector, 50 Position, Type I and Type II	
TOL. DEC. .X +/- 0.20 .XX +/- 0.15 .XXX +/- 0.10 ANGLE +/- UNIT: mm					Normal Orientation, Surface Mount	
					P/N: MC20-50A4-22X-Z Pg: 1	

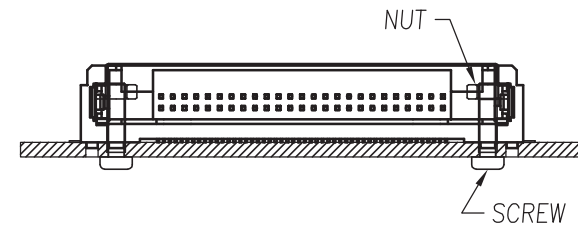


P.C.B Layout



Header With Ejector

EJECTOR P/N: MC20-50E



Rev	Apv.	Date

SCALE: n/a
TOL. DEC. .X +/- 0.20 .XX +/- 0.15 .XXX +/- 0.10 ANGLE +/- UNIT: mm

SMP TECHNOLOGY, INC.
Compact Flash Memory Card Connector, 50 Position, Type I and Type II
Normal Orientation, Surface Mount
P/N: MC20-50A4-22X-Z
Pg: 2