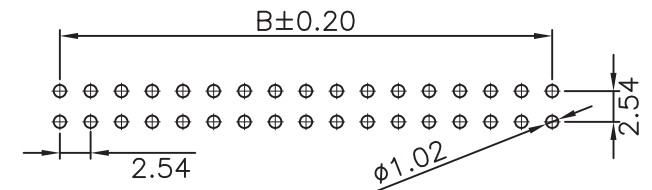
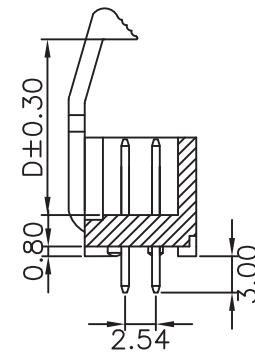
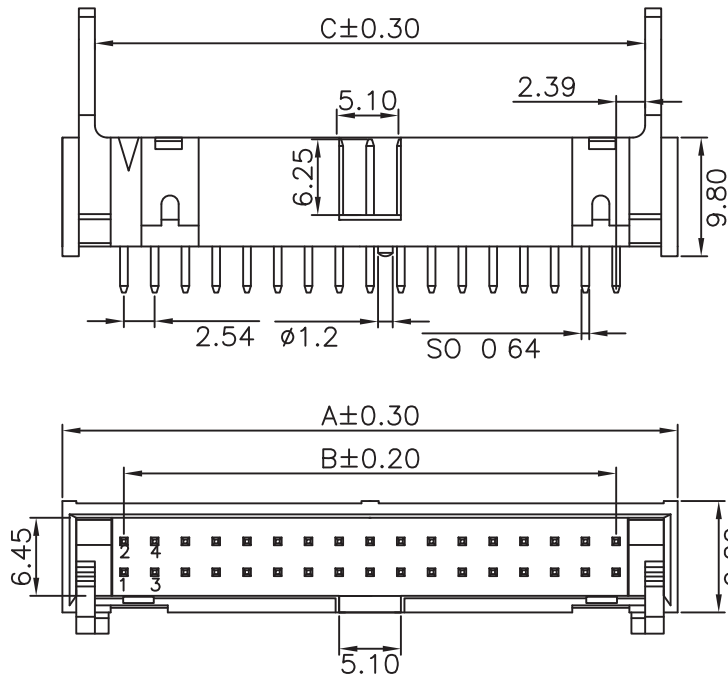


Pos.	Dim. A	Dim. B	Dim. C
006	15.24	5.08	9.86
008	17.78	7.62	12.40
010	20.32	10.16	14.94
014	25.40	15.24	20.02
016	27.94	17.78	22.56
020	33.02	22.86	27.64
026	40.64	30.48	35.26
030	45.72	35.56	40.34
034	50.80	40.64	45.42
040	58.42	48.26	53.04
050	71.12	60.96	65.74
060	83.82	73.66	78.44
064	88.90	78.74	83.52



Recommended P.C.B Layout(Top Side)
(PCB BOARD TOLERANCE±0.05)

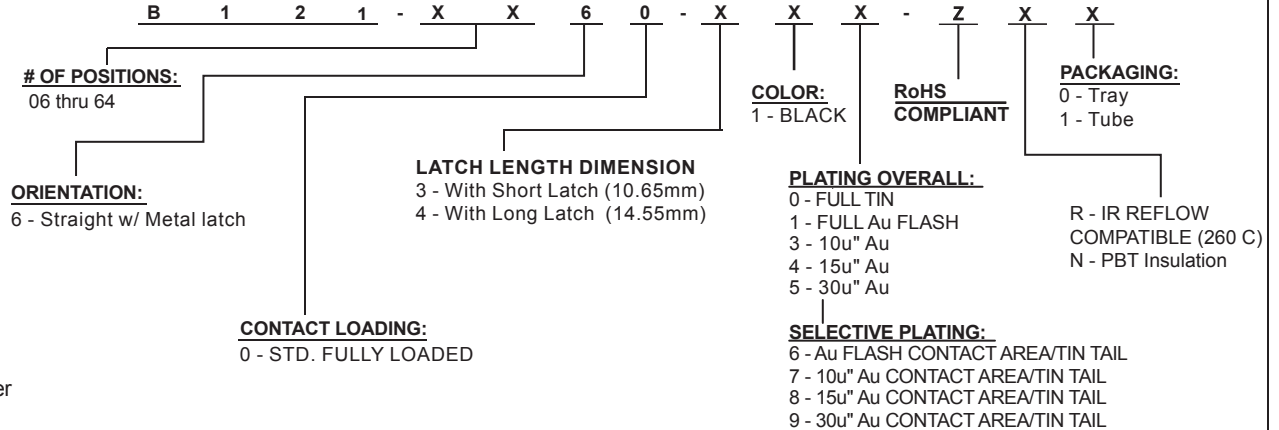
ELECTRICAL:

CURRENT: 3 AMP
 VOLTAGE RATING: 350V
 CONTACT RESISTANCE: 20 Milliohms Max.
 INSULATOR RESISTANCE: 1000 Megaohms Min
 DIELECTRIC WITHSTANDING VOLTAGE: 1000VAC FOR 1 MIN.
 OPERATING TEMPERATURE: -40° C TO +105° C

MATERIAL

INSULATOR OPTIONS: PBT & 30% Glass Fiber UL94V-0 or
 NYLON 6T UL94V-0 (260 C Rated - 10 Sec) - Add R to Part Number
 CONTACT: Copper Alloy
 PLATING: Gold and/or Matte Tin over 50 Microinches Nickel

HOW TO ORDER:



Rev	Drawn	Checked	Approved	Date
0	B.S.	S.M.	S.M.	04/14/11

SMP TECHNOLOGY, INC.

Box Header, 2.54mm Pitch, Vertical, Reflow Compatible

TOL. DEC. .X +/- 0.40 .XX +/- 0.25 .XXX +/- 0.15 ANGLE +/- UNIT: mm

SERIES: B 1 2 1 - X X 6 0 - X X X - Z X X