

ELECTRICAL:

CURRENT: 0.5A
 VOLTAGE RATING: 50V AC
 OPERATING TEMPERATURE: -50° C TO +90° C

MATERIAL:

INSULATOR: LCP +30% GLASS REINFORCED (UL94V-0)
 CONTACT: PHOSPHOR BRONZE, C5210R-SH
 METAL: STAINLESS STEEL, JIS SUS304-3/4H
 PLATING: SELECTIVE GOLD ON CONTACT AREA;
 MATTE TIN (100u" min.) ON SOLDERING AREA; 50u" NICKEL UNDER PLATE

HOW TO ORDER:

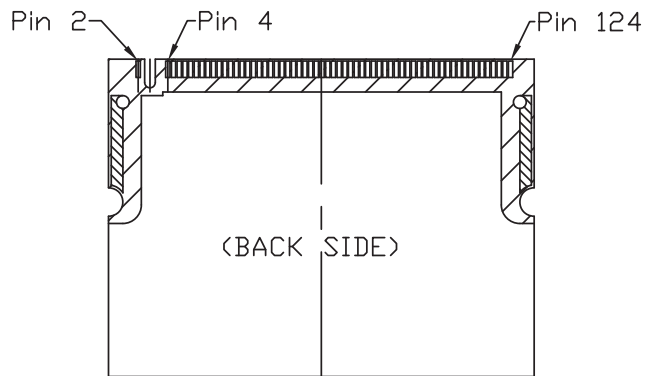
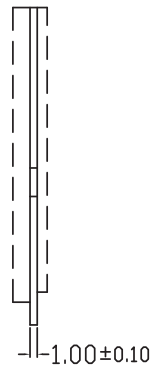
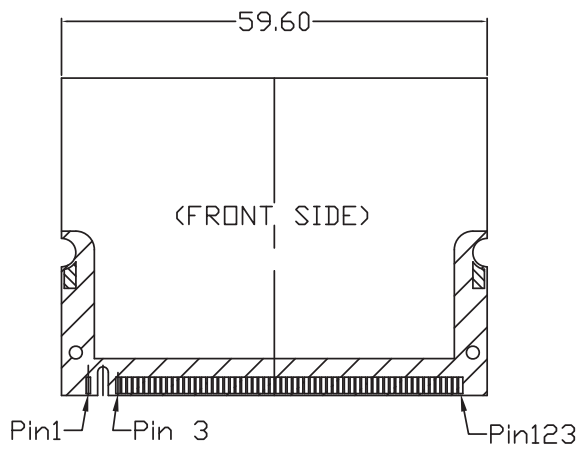
B **0** **3** **1** - **1** **4** **1** **1** - **0** **0** **X** - **Z** RoHS COMPLIANT

NUMBER OF POSITIONS: 124
HEIGHT: 4 - 8.0 mm
COLOR: 1 - Black
PACKAGING: 0 - Tray
LATCH: 1 - Metal Latch
SELECTIVE PLATING:
 1 - 5u" Au
 2 - 10u" Au
 4 - 15u" Au
 5 - 30u" Au

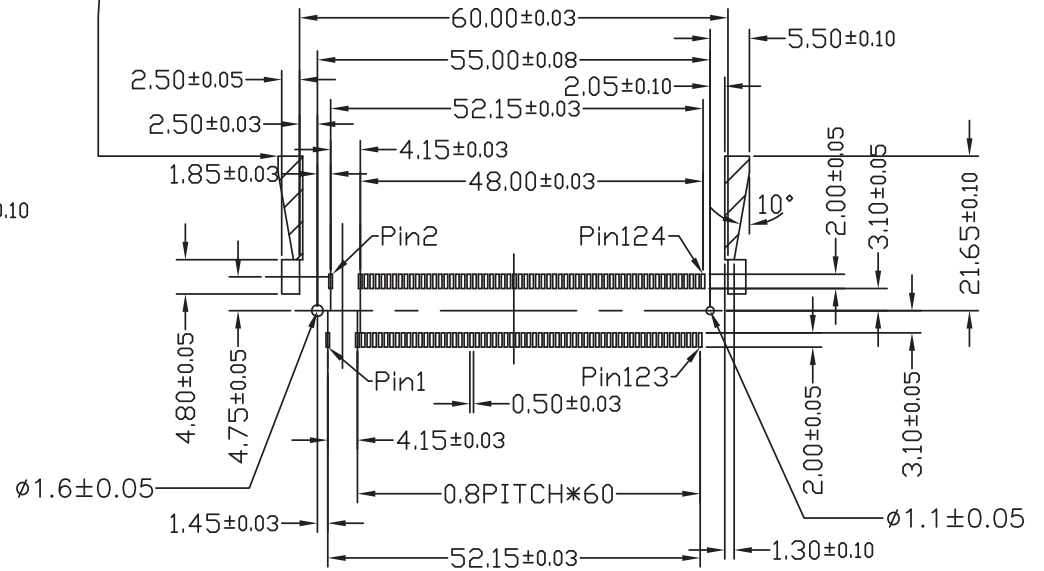
| Rev | Drawn | Checked | Approved | Date |
|------------|-------|---------|----------|----------|
| 0 | A.M. | S.M. | S.M. | 01/13/05 |
| A | G.T. | S.M. | S.M. | 11/21/05 |
| B | B.S. | S.M. | S.M. | 1/15/07 |
| C | B.S. | S.M. | S.M. | 1/08/08 |
| See Page 2 | | | | |

SMP TECHNOLOGY, INC.

Mini PCI, Fax Modem Socket, 124 Position, Right Angle Surface Mount, 8.0 mm Height, Metal Latch



No Component In This Area
Lever Movement Area



Recommended P.C.B. Layout

Recommended Module Configuration

| Rev | | Drawn | Checked | Approved | Date | SMP TECHNOLOGY, INC. |
|--|-----------------------------------|-------|---------|----------|----------|-----------------------------|
| D | Revised Selective Plating Options | B.S. | S.M. | S.M. | 04/07/09 | |
| E | Revised PCB Layout | B.S. | S.M. | S.M. | 09/24/09 | |
| | | | | | | |
| | | | | | | |
| TOL. DEC. ♂ +/- 0.36 .X +/- 0.20 .XX +/- 0.10 .XXX +/- 0.05 ANGLE +/- UNIT: mm | | | | | | P/N: B031-1411-00X-Z |