

**ELECTRICAL:**

CURRENT: 0.5A  
 VOLTAGE RATING: 50V AC  
 OPERATING TEMPERATURE: -50° C TO +90° C

**MATERIAL:**

INSULATOR: LCP +30% GLASS REINFORCED (UL94V-0)  
 CONTACT: PHOSPHOR BRONZE, C5210R-SH  
 METAL: STAINLESS STEEL, JIS SUS304-3/4H  
 PLATING: SELECTIVE GOLD ON CONTACT AREA;  
 MATTE TIN (100u" min.) ON SOLDERING AREA; 50u" NICKEL UNDER PLATE

**HOW TO ORDER:**

**B** **0** **3** **1** - **1** **4** **0** **1** - **0** **0** **X** - **Z** RoHS COMPLIANT

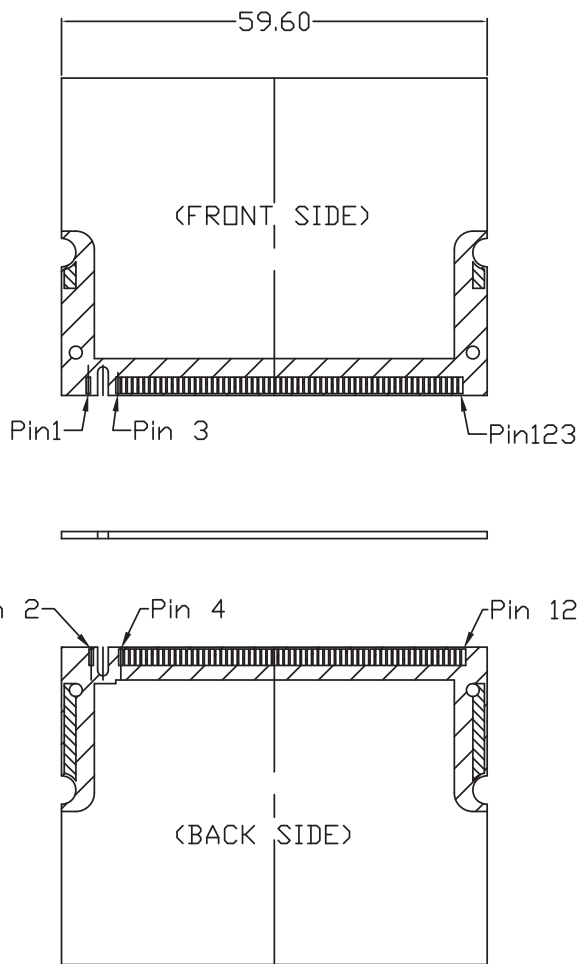
**NUMBER OF POSITIONS:** 124      **HEIGHT:** 4 - 8.0 mm      **COLOR:** 1 - Black      **PACKAGING:** 0 - Tray      **SELECTIVE PLATING:** 1 - 5u" Au, 2 - 10u" Au, 4 - 15u" Au, 5 - 30u" Au

**LATCH:** 0 - Plastic Latch

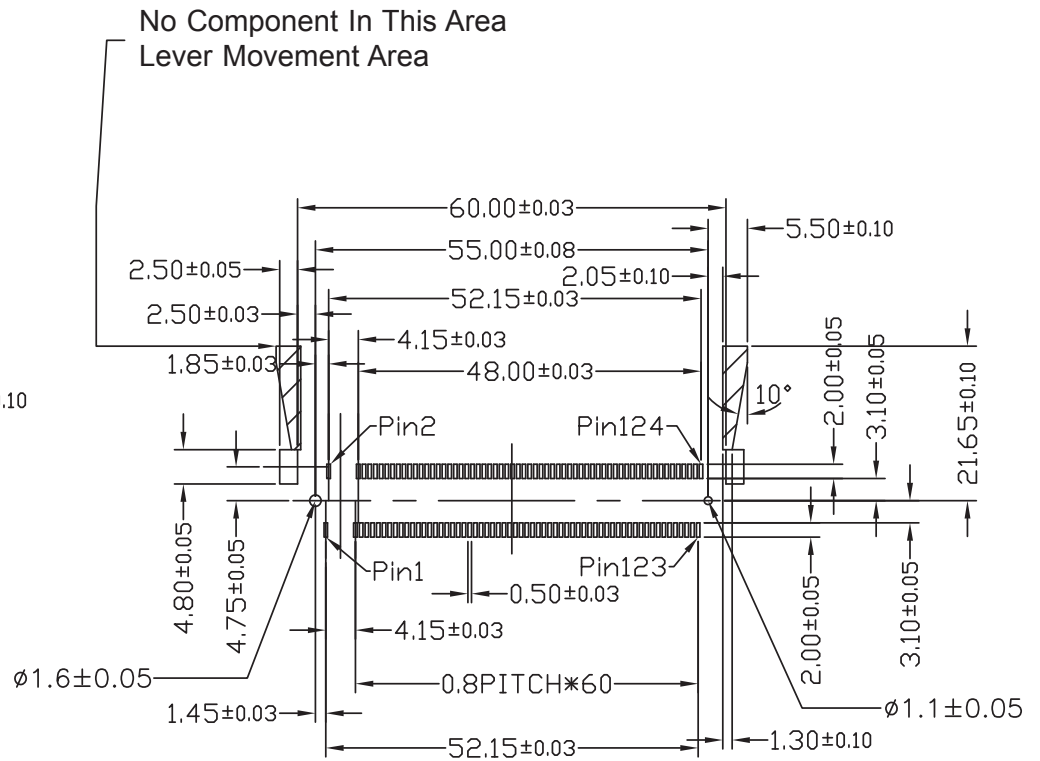
Rev	Drawn	Checked	Approved	Date
0	A.M.	S.M.	S.M.	01/13/05
A	G.T.	S.M.	S.M.	11/21/05
B	B.S.	S.M.	S.M.	1/15/07
C	B.S.	S.M.	S.M.	1/08/08
See Page 2				

SMP TECHNOLOGY, INC.

Mini PCI, Fax Modem Socket, 124 Position, Right Angle Surface Mount, 8.0 mm Height, Plastic Latch



Recommended Module Configuration



Recommended P.C.B. Layout

Rev		Drawn	Checked	Approved	Date	
D	Revised Selective Plating Options	B.S.	S.M.	S.M.	04/07/09	<b>SMP TECHNOLOGY, INC.</b>
E	Revised PCB Layout	B.S.	S.M.	S.M.	09/24/09	
						Mini PCI, Fax Modem Socket, 124 Position, Right Angle Surface Mount,
						8.0mm Height, Plastic Latch
TOL. DEC.    ♂ +/- 0.36    .X +/- 0.20    .XX +/- 0.10    .XXX +/- 0.05    ANGLE +/-    UNIT: mm						P/N: B031-1401-00X-Z